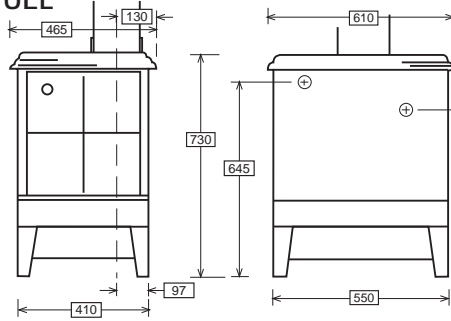
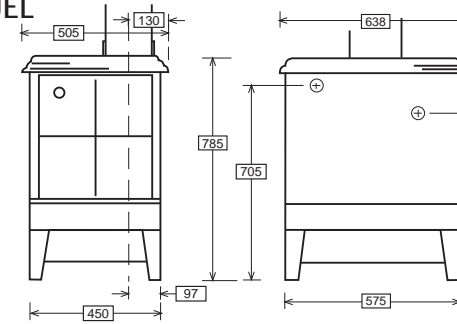


ZEALANDIA MULTI FUEL



Max Heat Output (est) 23Kw *
 Heating Area 200 sqm
 Hot Water Output 5kw
 Hot Water Tapings 1" B.S.P
 Flue Size 150mm
 Firebox Size Coal Wood
 Height 260mm 260mm
 Width 410mm 410mm
 Depth 240mm 320mm
 *Using Coal

COASTER MULTI FUEL

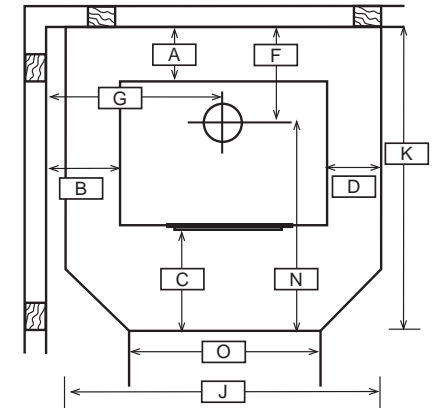


Max Heat Output (est) 26Kw *
 Heating Area 200 sqm
 Hot Water Output 5kw
 Hot Water Tapings 1" B.S.P
 Flue Size 150mm
 Firebox Size Coal Wood
 Height 320mm 350mm
 Width 460mm 460mm
 Depth 320mm 380mm
 *Using Coal

Installation Clearances for Multi-Fuel Woodfires in Urban areas

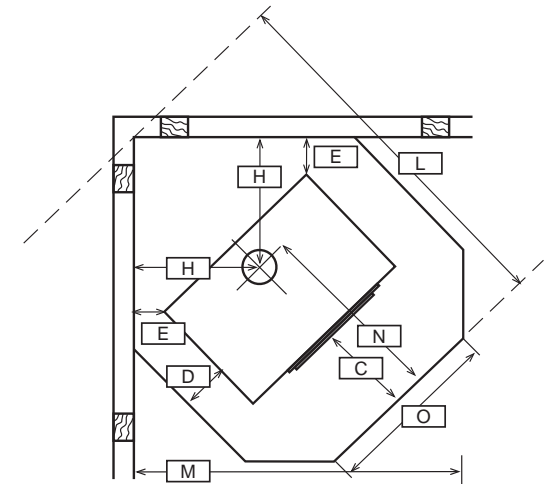
All clearances are with flue pipe shield

	A	B	C	D	E	F	G	H	J	K	L	M	N	O	WATER HEATING OPTIONAL EXTRA
COASTER															
Leg Base	100	275	300	110	100	230	595	420	860	905	1270	1095	675	600	5 kw or 3 kw Wetback
ZEALANDIA MULTI-FUEL															
Leg Base	150	350	380	100	130	280	655	430	810	995	1315	1120	715	530	5 kw or 3 kw Wetback



Notes:

1. Refer to owners manual for complete installation instructions and ensure compliance with building codes and regulations.
2. Coaster and Zealandia require an ash floor protector to AS/NZS 2918:2001.
3. Council regulations may not permit these fires in some areas. Check with your local dealer.



Clearances are in accordance with the requirements of AS/NZS 2918:2001