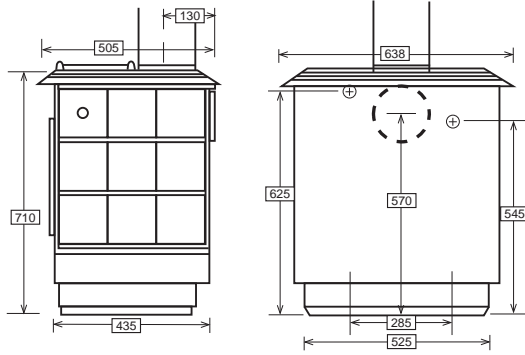
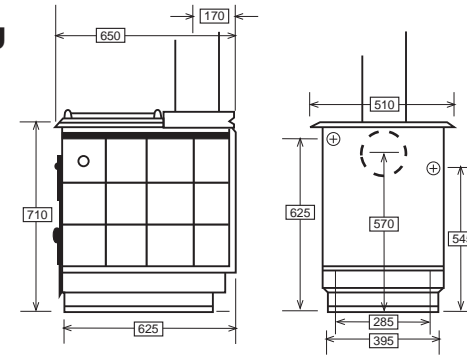


CONTESSA RU



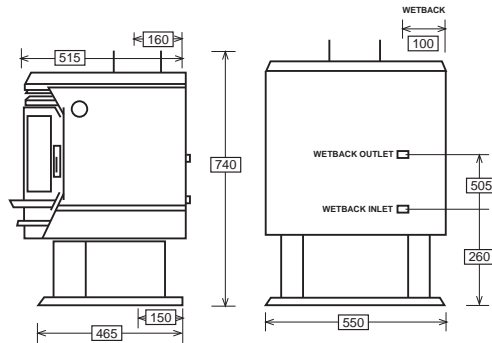
Max Heat Output (est) 23kw
 Heating Area 200 sqm
 Hot Water Output 3.5-5 kw
 Hot Water Tapings 1" B.S.P
 Flue size 150mm
 Firebox Size
 Height 340mm
 Width 460mm
 Depth 320mm

LADY KITCHENER RU



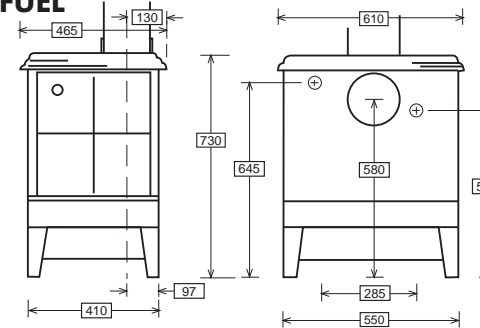
Max Heat Output (est) 23Kw
 Heating Area 200 sqm
 Hot Water Output 3.5-5Kw
 Hot Water Tapings 1"B.S.P
 Flue Size 150mm
 Firebox Size
 Height 340mm
 Width 320mm
 Depth 500mm

DANTE RU



Max Heat Output (est) 18kw
 Heating Area 110-150 sqm
 Hot Water Output 4kw
 Hot Water Tapings 1"B.S.P
 Flue Size 150mm
 Firebox Size
 Height 320mm
 Width 395mm
 Depth 400mm

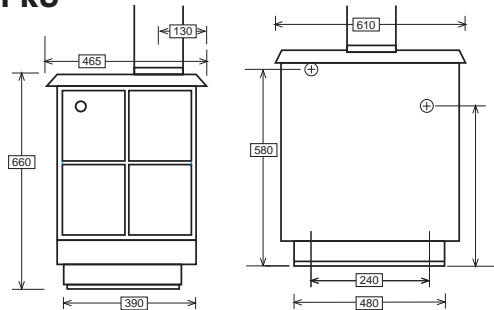
ZEALANDIA MULTI FUEL



Max Heat Output (est) 23Kw *
 Heating Area 200 sqm
 Hot Water Output 5kw
 Hot Water Tapings 1" B.S.P
 Flue Size 150mm
 Firebox Size Coal Wood
 Height 260mm 320mm
 Width 385mm 365mm
 Depth 240mm 300mm

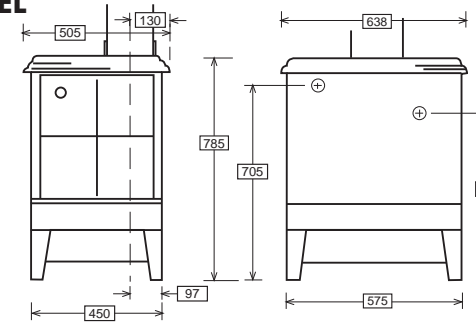
*Using Coal

BRONTE TOP OUTLET RU



Max Heat Output (est) 18kw
 Heating Area 150 sqm
 Hot Water Output 3kw
 Hot Water Tapings 1" B.S.P
 Flue Size 150mm
 Firebox Size
 Height 320mm
 Width 395mm
 Depth 300mm

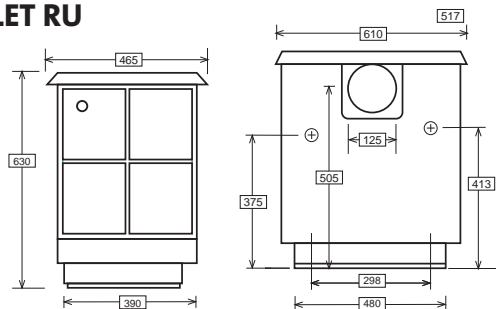
COASTER MULTI FUEL



Max Heat Output (est) 26Kw *
 Heating Area 200 sqm
 Hot Water Output 5kw
 Hot Water Tapings 1" B.S.P
 Flue Size 150mm
 Firebox Size Coal Wood
 Height 320mm 350mm
 Width 460mm 460mm
 Depth 320mm 380mm

*Using Coal

BRONTE REAR OUTLET RU



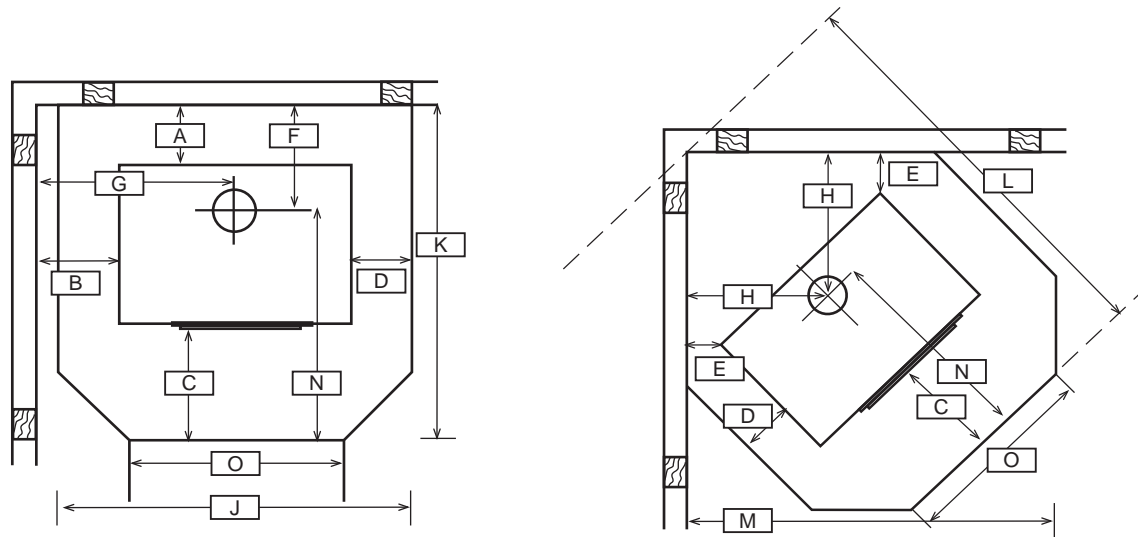
Max Heat Output (est) 18kw
 Heating Area 150 sqm
 Hot Water Output 3kw
 Hot Water Tapings 1" B.S.P
 Flue Size 150mm
 Firebox Size
 Height 320mm
 Width 395mm
 Depth 300mm

Lower pedestal standard

Measurements shown are for units on a Pedestal or Drawer base (except the Zealandia). For units on legs (except Zealandia) add 70mm to vertical heights given.
 For Bronte Rear Outlet add 95mm to vertical height given.

Installation Clearances for Freestanding Woodfires in Rural areas

DESIGNED TO BE INSTALLED ON PROPERTIES 2 HECTARES OR MORE



Notes:

1. Refer to owners manual for complete installation instructions and ensure compliance with building codes and regulations.
2. Fires with a "2" require an *insulated floor protector* to the requirements of AS/NZS 2918:2001, with a minimum thickness of 40mm.
3. Fires noted "3" require an *ash floor protector* to AS/NZS 2918:2001.
4. To gain more efficiency from your Firenzo freestanding woodfire, we recommend installing an "Energy Saver" flue system that reduces heat loss by up to 40%, acts as a fire stop and reduces wind and traffic noise. *Not applicable to Zealandia or Coaster

INSTALLATION CLEARANCES FOR FREESTANDING FIRES (All Clearances are with Flue Pipe Shield)															FLOOR PROTECTOR NOTE No.
FREESTANDING FIRE	A	B	C	D	E	F	G	H	J	K	L	M	N	O	
BRONTE TOP OUTLET RU															
Pedestal & Drawer Base	100	245	330	100	100	230	550	405	810	895	1240	1090	665	630	2
Leg Base	100	245	300	100	100	230	550	405	810	865	1210	1070	635	630	3
BRONTE REAR OUTLET RU (INTO CHIMNEY CAVITY)															
Pedestal & Drawer Base	100	245	470	100	N/A	N/A	550	N/A	810	1035	N/A	N/A	N/A	630	2
Leg Base	100	245	405	100	N/A	N/A	550	N/A	810	970	N/A	N/A	N/A	630	3
CONTESSA RU															
Pedestal & Drawer Base	100	275	350	110	100	230	595	420	860	955	1320	1145	725	600	2
Leg Base	100	275	300	110	100	230	595	420	860	905	1270	1095	675	600	3
DANTE FREESTANDER RU															
	100	300	270	150	100	260	575	455	850	885	1200	1120	625	500	3
LADY KITCHENER RU															
Pedestal & Drawer Base	100	240	300	100	95	270	495	395	710	1050	1365	1145	780	540	2
Leg Base	100	240	300	100	95	270	495	395	710	1050	1365	1145	780	540	3
COASTER MULTI-FUEL															
	100	275	300	110	100	230	595	420	860	905	1270	1095	675	600	3
ZEALANDIA MULTI-FUEL															
	150	350	380	100	130	280	655	430	810	995	1315	1120	715	530	3