



FIRENZO
WOODFIRES

Please read this booklet and keep for future reference for the safe installation and operation of your:

LADY KITCHENER

MODEL: AG 08 DRYBACK

FREESTANDING WOODBURNER

All installations must be in accordance with these instructions. Consult with the building authority having jurisdiction to determine the need for a permit prior to commencing the installation. Failure to follow these instructions may also void your fire insurance and warranty.

The Lady Kitchener AG Dry has been approved by Environment Canterbury.

INDEX

<u>Page No.:</u>	<u>Item No.:</u>	<u>Topic:</u>
3	1	Warnings
4	2	Installation Responsibilities
4	3	Floor Protector Requirements
5	4	Installation Clearances
6	5	Assembly Instructions
7		Fitting Seismic Restraints
8	6	Flue Installation
9		Minimum Height of Flue System
		Exit
10		Triangular Baffle Bricks

Edited 4/8/2010

1. WARNINGS

THIS APPLIANCE SHOULD BE MAINTAINED AND OPERATED AT ALL TIMES IN ACCORDANCE WITH THESE INSTRUCTIONS.

The **Lady Kitchener AG 08 Dryback** has been tested to N.Z. Standards AS/NZS 2918:2001.

If this heater is incorrectly installed a house fire may result. For your safety follow the installation instructions carefully.

Do NOT connect the heater to a chimney serving another appliance.

Although the exterior of the heater may appear cool, contact with the unit may cause burns, warn children and others of the possibility of injury should they touch the heater.

Do NOT dry clothing or unseasoned wood directly in contact with the heater.

Keep all household combustible materials at least 600mm away from front of the heater. This includes clothing, furniture, wood, newspaper, plastic, matches, etc.

DO NOT USE FLAMMABLE LIQUIDS OR AEROSOLS IN THE VICINITY OF THIS APPLIANCE WHEN IT IS OPERATING.

Use caution when reloading with fuel. Do NOT attempt to load fuel into the heater when the fire inside the stove is at or near its peak.

Do NOT burn large quantities of paper or combustible material that would create an extremely hot/quick fire.

Do NOT burn highly coloured paper or brochures (junk mail).

USE ONLY DRY WOOD. AVOID BURNING WET OR GREEN WOOD.

THE USE OF SOME TYPES OF PRESERVATIVE TREATED WOOD AS A FUEL CAN BE HAZARDOUS.

TIMBER TREATED WITH COPPER CHROMIUM AND ARSENIC TYPE PRESERVATIVES WILL LEAVE TOXIC RESIDUES IN THE ASH, FIREBOX OR WITHIN THE FLUE; TIMBER OFFCUTS FROM BUILDING CONSTRUCTION WILL OFTEN CONTAIN BORIC SALTS. THE COMBUSTION OF THIS MATERIAL OVER PROLONGED PERIODS CAN PRODUCE ADVERSE EFFECTS ON REFRACTORY LINING IN SOLID FUEL APPLIANCES. EMISSION OF POISONOUS GASES CAN ALSO BE EXPERIENCED WITH THE BURNING OF TREATED WOOD.

Driftwood with salt content will also cause rapid deterioration of the heater and should not be used.

2. INSTALLATION RESPONSIBILITIES

WARNING: THE APPLIANCE AND FLUE SYSTEM SHALL BE INSTALLED IN ACCORDANCE WITH AS/NZ 2918 AND THE APPROPRIATE REQUIREMENTS OF THE RELEVANT BUILDING CODE OR CODES.

ANY MODIFICATION OF THE APPLIANCE THAT HAS NOT BEEN APPROVED IN WRITING BY THE TESTING AUTHORITY IS CONSIDERED TO BE IN BREACH OF THE APPROVAL GRANTED FOR COMPLIANCE WITH AS/NZS 4013.

CAUTION: MIXING OF APPLIANCE OR FLUE-SYSTEM COMPONENTS FROM DIFFERENT SOURCES OR MODIFYING THE DIMENSIONAL SPECIFICATION OF COMPONENTS MAY RESULT IN HAZARDOUS CONDITIONS. WHERE SUCH ACTION IS CONSIDERED, THE MANUFACTURER SHOULD BE CONSULTED IN THE FIRST INSTANCE.

Strict adherence to these instructions will meet these standards. Any variation from these installation instructions or any doubt about them must be checked against the requirements of the Standards.

Please leave this manual with the owner when installation is complete.

3. FLOOR PROTECTOR REQUIREMENTS

The heater should always be installed on top of its base due to high temperatures sustained over long periods. The base must be anchored to both the floor protector and the floor for seismic restraint. Anchor points are provided in the base or on the rear legs.

PEDESTAL, DRAWER BASE & LEGS MODELS:

If the heater is to be placed on or within 500mm of a heat sensitive floor, an **insulated floor protector** with a minimum thickness of **40mm** is required consisting of 20mm of an approved insulation material i.e. 2 sheets of 10mm micorboard or superlux, 10mm tile backing board and 10mm tiles or similar on the top surface. All joints on the upper surface should be sealed to prevent spilt ash from contacting any heat-sensitive material.

FLOOR PROTECTOR DIMENSIONS:

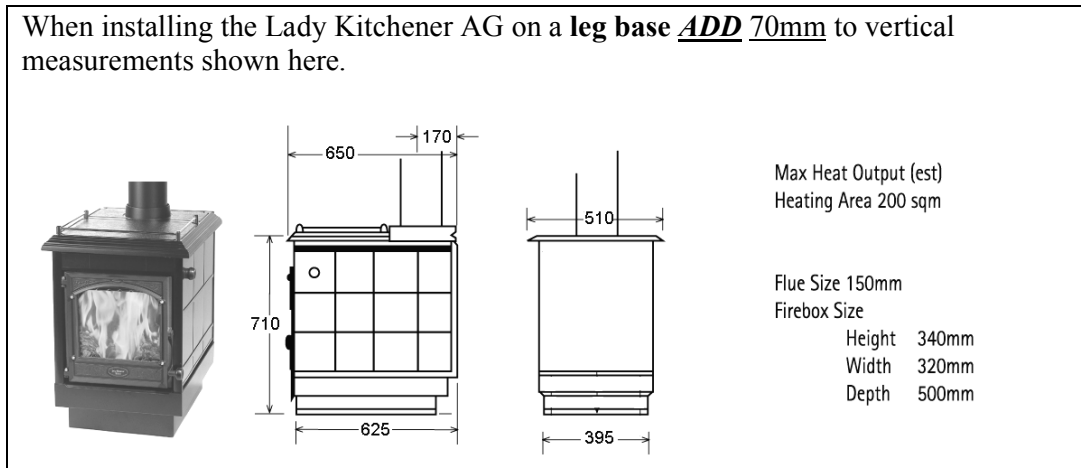
Refer to drawings under 4. Installation Clearances.

The standard front clearance from the front of the door glass can be reduced by increasing the insulated floor protector height, as tabled below:

FLOOR PROTECTOR HEIGHT	0	40	50	60	75	90	100	112
F/P DEPTH FOR PED OR D/BASE	554	470	444	412	389	360	334	306
F/P DEPTH FOR LEG BASE	300	300	300	300	300	300	300	300

4. INSTALLATION CLEARANCES

When installing the Lady Kitchener AG on a **leg base** ADD 70mm to vertical measurements shown here.

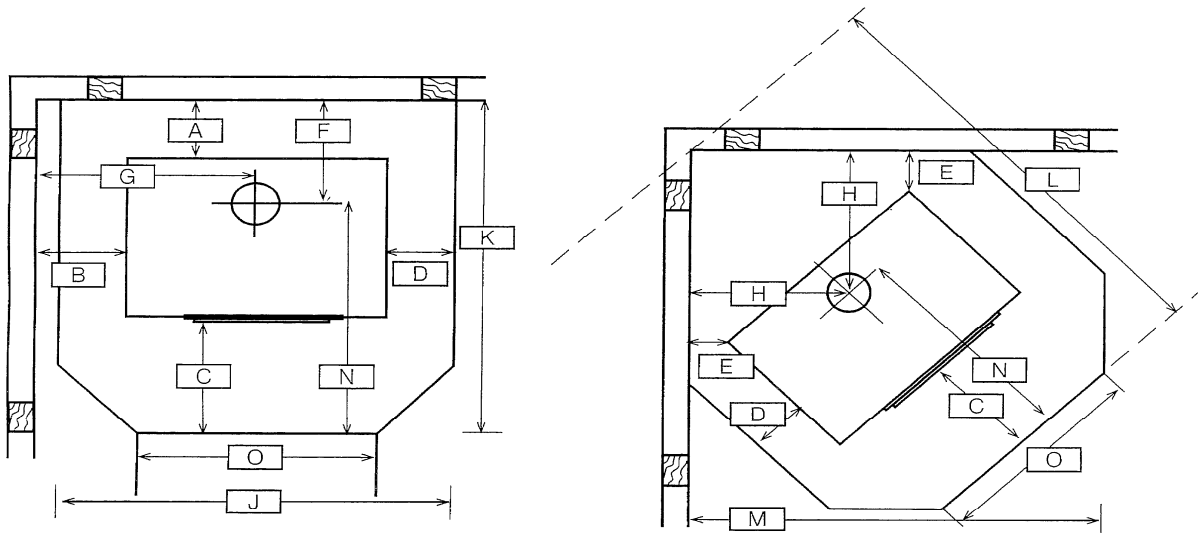


CLEARANCES	A	B	C	D	E	F	G	H	J	K	L	M	N	O
ON PED OR DRAWER	100	385	470	100	150	270	640	450	710	1220	1590	1340	950	540
ON LEGS	100	385	300	100	150	270	640	450	710	1050	1420	1200	780	540

HEATER MUST BE INSTALLED WITH FLUE PIPE SHIELD

Clearances are to a heat sensitive material.

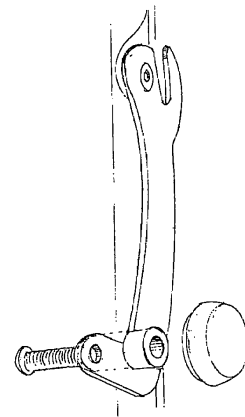
Clearances are in accordance with the requirements of AS/NZS 2918:2001



If the heater is to be placed on or within 500mm of a heat sensitive floor, an insulated floor protector will be required.

5. ASSEMBLY INSTRUCTIONS

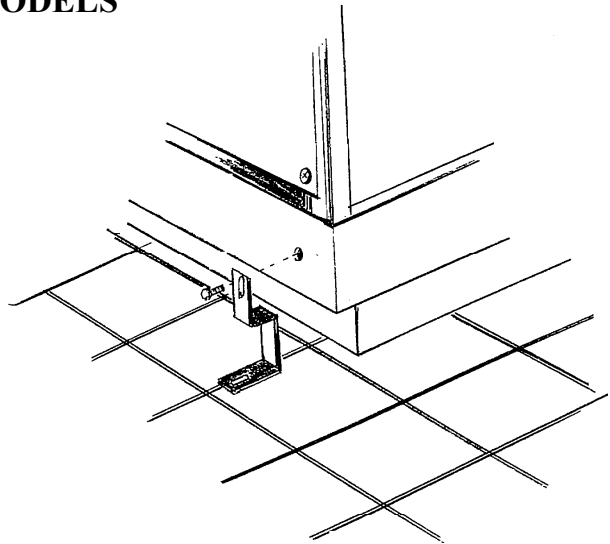
1. Remove all packaging and timber.
2. Remove parts from inside the firebox.
3. Remove both front and rear top castings.
4. Make sure baffles and triangular bricks are positioned as in diagram on page 11.
5. Place pedestal/drawerbase onto floor protector, fit firebox on top of same. The leg model comes assembled so place complete unit on the floor protector.
6. Fit cast tops to firebox for positioning fire on floor protector taking the necessary final clearances into consideration. These measurements coincide with the figures on page 5 - Installation Instructions.
6. Secure both fire and floor protector to floor - see Seismic Restraint page 7. This is a New Zealand Standard requirement due to NZ being earthquake prone.
7. Assemble and fit flue as per instructions (page 8 & 9)
8. A flue pipe shield **must** be fitted. The minimum requirement is for a single skin, semi-circular, stainless steel flue shield with a reflective inner surface 1200mm high. This should be installed so that the bottom edge of the flue shield is at the same level as the top of the flue spigot and spaced off the flue pipe by approximately 35mm.
9. Assemble and fit the gold/silver/black rails.
10. Fit door knob with spacer as per drawing shown herewith -
11. Fit the air control knob - place the flat on the knob to the flat on the shaft situated on the right hand side of the fire. Press home firmly.



FITTING SEISMIC RESTRAINT BRACKETS ON LADY KITCHENER AG

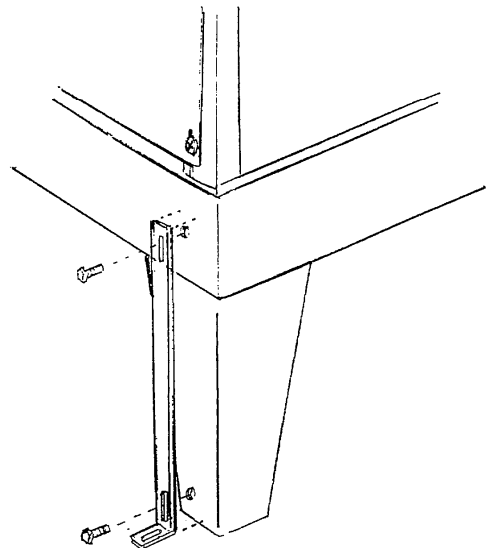
PEDESTAL OR DRAWER BASE MODELS

1. Remove bolts at rear of fire box
2. Fit Seismic Restraint brackets
3. Secure both the floor protector and the appliance to the floor.



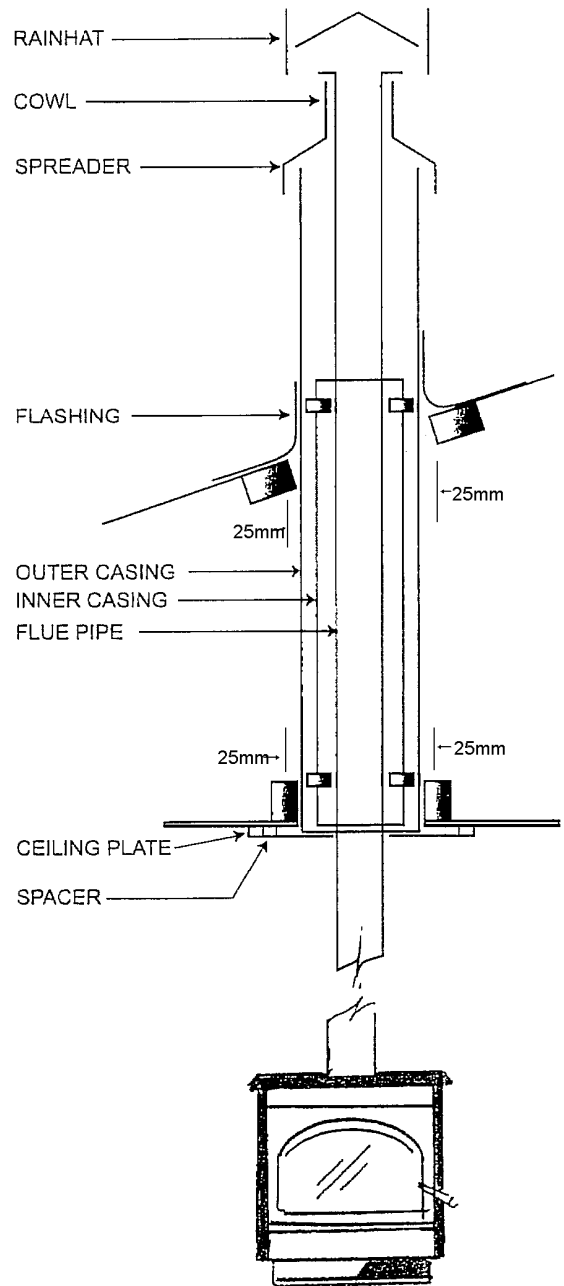
LEG MODELS

1. Place firebox on leg assembly and fit brackets.
2. Locate as per appropriate clearances
3. Secure both the floor protector and the appliance to the floor.



6. FREESTANDING FLUE SYSTEM INSTALLATION INSTRUCTIONS

1. Position heater on floor protector ensuring all heater clearances are correct as per clearances on page 5.
2. Once the location is confirmed, the appliance and floor protector shall be fixed to the floor itself (refer to page 6 & 7).
3. Extend a plumb line from the centre of the fire flue pipe spigot to the ceiling. Mark position on ceiling and roof.
4. Trim hole and nog as required ensuring that a 25mm safe clearance between combustible materials and flue components is maintained. Fix with non combustible spacers and screws or clouts on all four sides.
5. Cut and frame (when required) an opening in the roof, position the outer casing through the roof until it is flush with the under side of the ceiling, making sure as with the ceiling there is a 25mm safe clearance between non-combustible materials and the flue components. Fix as in step 4.
6. Fix appropriate flashing around outer casing to the roof to ensure a weatherproof seal.
7. Assemble flue pipe sections ensuring all seams are in line, the assembly is straight and crimped. Ends are pointing downwards. Fix each joint with three stainless rivets or self-tapping screws.
8. Place ceiling plate with folded edges upwards over heater spigot.
9. Position the flue pipe into the heater spigot. The flue pipe can either lowered from the top as a single unit or fed up from the room a length at a time, ensuring that all joints are fixed properly.
10. Slide the inner casing into place, between the outer casing and the flue pipe.
11. The flue pipe must extend 200mm above the outer casing.
Note: Extra lengths of flue pipe, inner and outer casing may be required to achieve the minimum clearance from the roof.
12. Slide top spreader over flue pipe down into outer and inner casing and tighten.
13. Slide cowl over flue pipe until it rests on spreader. Secure with rivets or self-tapping screws.
14. Fit rainhat. Do not fasten as it must be removable for flue pipe cleaning.
15. Fix ceiling plate to ceiling maintaining an even gap all around flue pipe.
Note: Ensure ceiling plate is spaced off from the ceiling with ceramic spacers supplied.

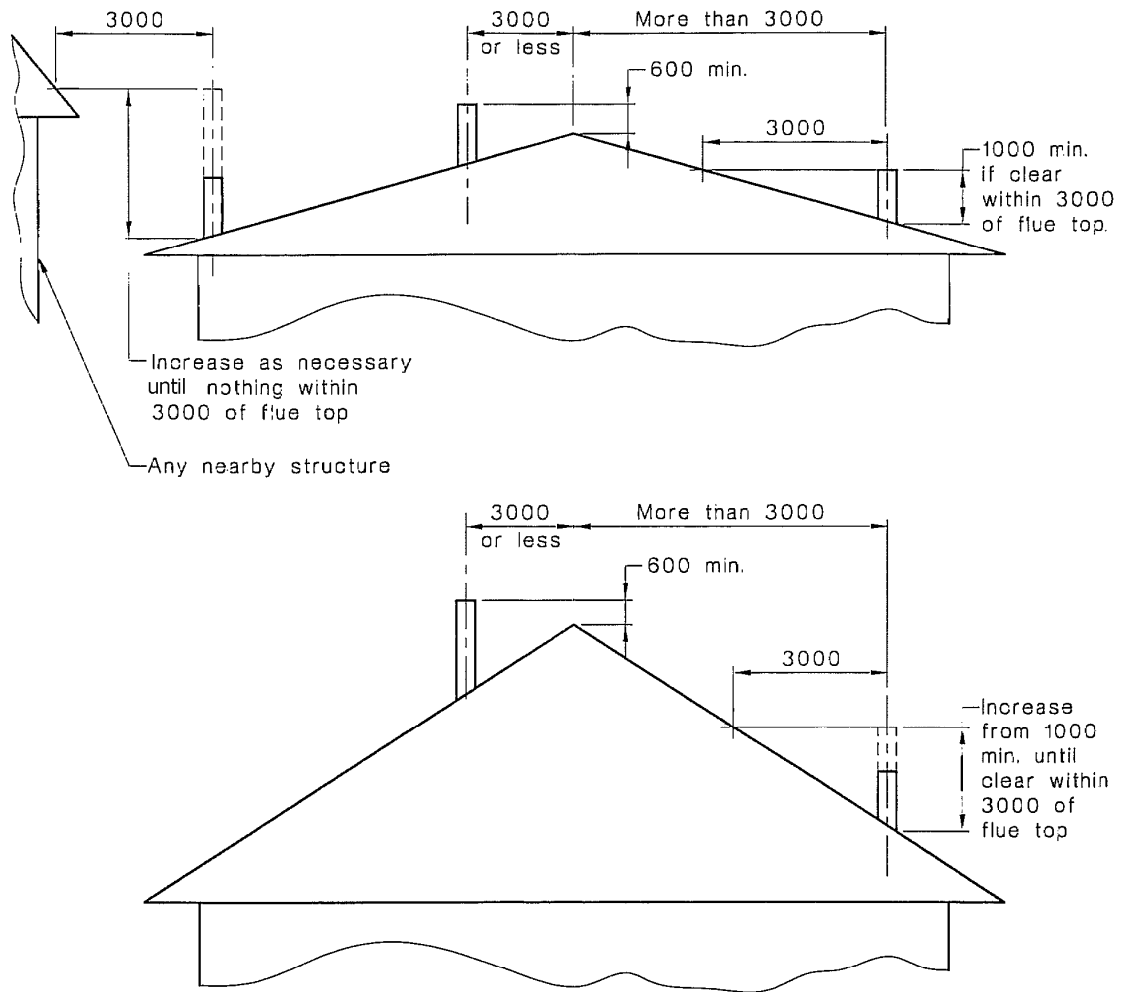


A flue pipe shield must be fitted – see item 11 on page 6.

CAUTION: Mixing of appliance or flue system components from different sources or modifying the dimensional specifications of components may result in hazardous conditions. Where such action is considered the manufacturer should be consulted in the first instance.

WARNING: The appliance and flue system shall be installed in accordance with AS/NZS 2918:2001 and the appropriate requirements of the relevant building code or codes.

MINIMUM HEIGHT OF FLUE SYSTEM OUTLET



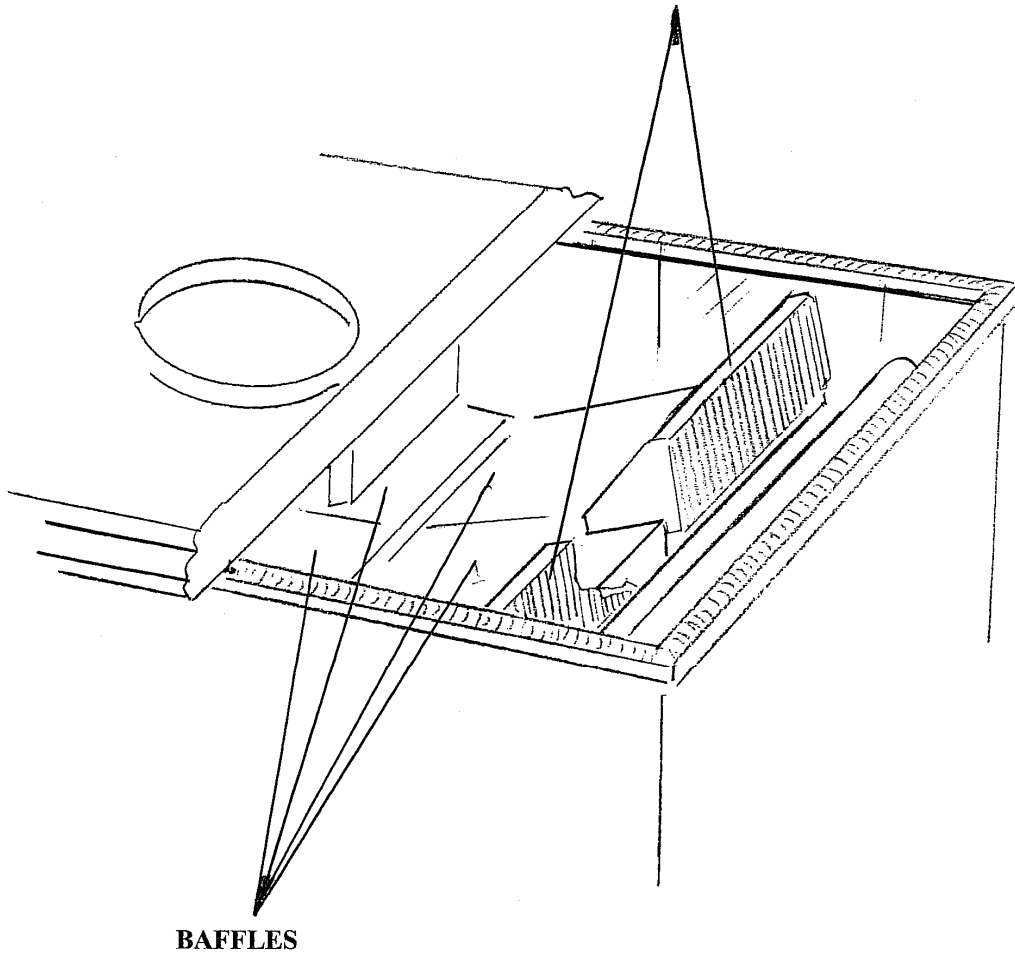
DIMENSIONS IN MILLIMETRES

NOTES:

1. The flue pipe shall extend not less than 4.6m above the top of the floor protector.
2. The flue cowl must be at least 600mm above the highest point of the roof if within 3 metres of it, or 1 metre above the roof penetration if more than 3 metres from the ridge.
3. No part of the building, or any adjacent building may be in or above a circular area of a horizontal radius of 3 metres from the flue exit.

IMPORTANT

UPON INSTALLATION CHECK THAT THE TRIANGULAR BRICK ON TOP OF THE BAFFLES IS PLACED AS SHOWN.



FIRENZO

WOODFIRES

BY
Hewitsons Limited

Manufacturers of:

Lady Kitchener

Bronte

Contessa

Dante

Royale

Zealandia

Coaster

Athena

Forte

Deco

Plaza

Aqualux

68 Austin Street

Onekawa

PO Box 3231

Napier 4142

Phone: 06 8438260

Fax: 06 8430505

Email: hothouse@firenzo.co.nz

www.firenzo.co.nz