



**FIRENZO**  
WOODFIRES

*the heart of your home*

**INSTALLATION AND OPERATOR'S HANDBOOK  
FOR THE FIRENZO INSERT FIRES**

Please read this booklet, for the safe installation and operation of your

**DECO Urban SD**

OR

**PLAZA Urban SD**

The Appliance and Flue System must be installed in accordance with AS/NZS2918. Consult with the Building Authority having jurisdiction to obtain a permit prior to commencing the installation. Failure to follow these instructions may also void your fire insurance and warranty.

*This unit has been tested to Appendix E & B of the joint Australia/New Zealand Standard 2918:2001.*

*Please leave this manual with the owner after installation.*

Your warranty card is enclosed and may be completed and returned to us.

## **INDEX**

<i>PAGE:</i>	<i>ITEM:</i>
3	1 Warnings
4	Fascia & Floor Protector Dimensions
5	2 Floor Protector Requirements
6-12	3 Built In Fire Canopy
13-14	Raised Builtin Fire Canopy
15	Builtin Fire – Cavity Chimney Termination
16	4 Pre-Installation
17	5 Assembly Instructions
18	6 Insert Flue System for Masonry Install
19	Minimum Height of Flue System Outlet
20	Typical Insert Installation Diagram
21	7 Fascia Assembly & Installation

### *DIAGRAMS:*

Page 4	Fascia & Floor Protector Dimensions
Page 6	Built In Fire Canopy Dimensions
Page 7	Builtin Fire Canopy Assembly
Page 8,9,10,11	Builtin Fire Canopy Framing Guide
Page 13,14	Raised Builtin Fire Canopy Framing Guide
Page 15	Cavity Chimney Termination
Page 18,19	Insert Flue System for Masonry installation
Page 20	Typical Insert Installation Diagram

*Edited 13/5/11*

# 1. WARNINGS

THIS APPLIANCE SHOULD BE MAINTAINED AND OPERATED AT ALL TIMES IN ACCORDANCE WITH THESE INSTRUCTIONS.

The DECO URBAN SD and the PLAZA URBAN SD has been tested to N.Z. Standards AS/NZS 2918:2001.

If this heater is incorrectly installed a house fire may result. For your safety follow the installation instructions carefully.

Do NOT connect the heater to a chimney serving another appliance.

Although the exterior of the heater may appear cool, contact with the unit may cause burns; warn children and others of the possibility of injury should they touch the heater.

Do NOT dry clothing or unseasoned wood directly in contact with the heater.

Keep all household combustible materials at least 600mm away from front of the heater. This includes clothing, furniture, wood, newspaper, plastic, matches, etc.

**DO NOT USE FLAMMABLE LIQUIDS OR AEROSOLS IN THE VICINITY OF THIS APPLIANCE WHEN IT IS OPERATING.**

Use caution when reloading with fuel. Do NOT attempt to load fuel into the heater when the fire inside the stove is at or near its peak.

Do NOT burn large quantities of paper or combustible material that would create an extremely hot/quick fire.

Do NOT burn highly coloured paper or brochures (junk mail).

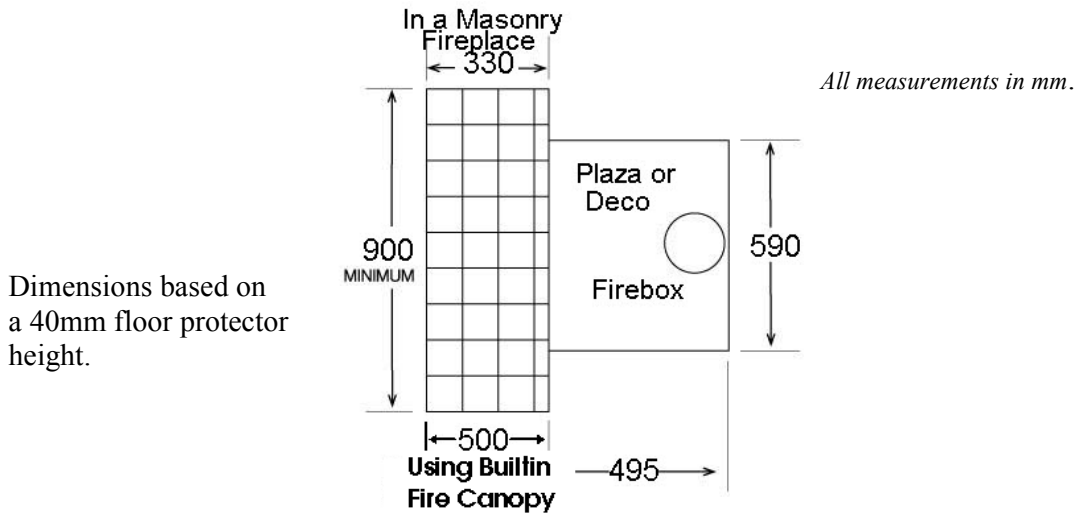
**USE ONLY DRY WOOD. AVOID BURNING WET OR GREEN WOOD.**

**THE USE OF SOME TYPES OF PRESERVATIVE TREATED WOOD AS A FUEL CAN BE HAZARDOUS.**

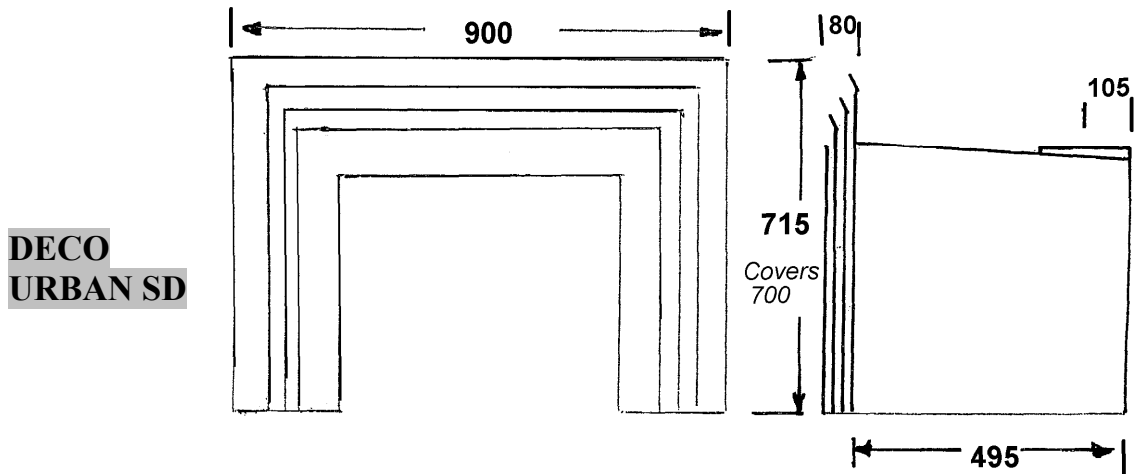
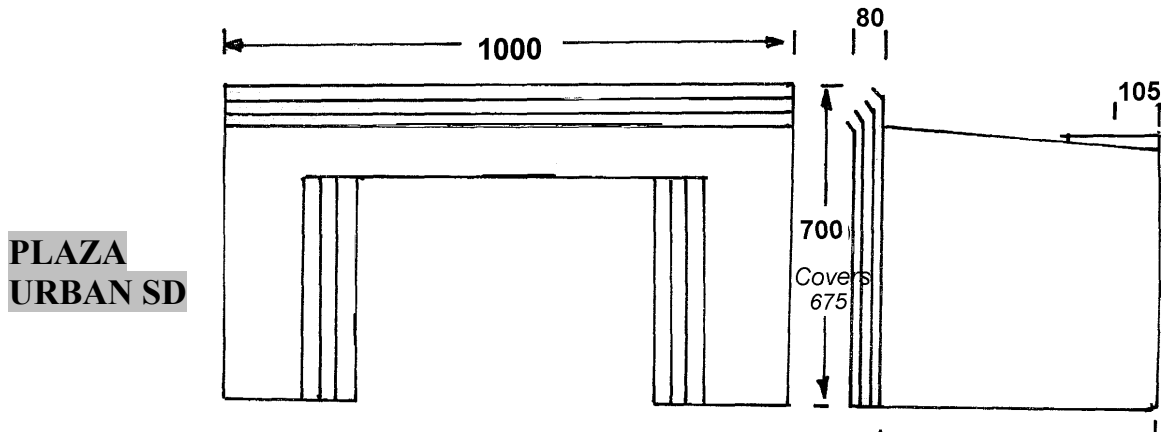
**TIMBER TREATED WITH COPPER CHROMIUM AND ARSENIC TYPE PRESERVATIVES WILL LEAVE TOXIC RESIDUES IN THE ASH, FIREBOX OR WITHIN THE FLUE, TIMBER OFFCUTS FROM BUILDING CONSTRUCTION WILL OFTEN CONTAIN BORIC SALTS. THE COMBUSTION OF THIS MATERIAL OVER PROLONGED PERIODS CAN PRODUCE ADVERSE EFFECTS ON REFACTORY LINING IN SOLID FUEL APPLIANCES. EMISSION OF POISONOUS GASES CAN ALSO BE EXPERIENCED WITH THE BURNING OF TREATED WOOD.**

Driftwood with salt content will also cause rapid deterioration of the heater and should not be used.

# FLOOR PROTECTOR & FASCIA DIMENSIONS



*Mantel Shelf:* In a Masonry Fireplace minimum height above fascia to a combustible mantel shelf 600mm. Using a Firenzo Double Shield Deflector this can be reduced to 290mm. Installing in an Inbuilt Fire Canopy it can NOT have a combustible mantel. The minimum clearance from the fascia to a non-combustible mantel is 500mm.



## **2. FLOOR PROTECTOR REQUIREMENTS**

If the heater is to be placed on or within 500mm of a heat sensitive floor, an **insulated** floor protector will be required.

The insulated floor protector needs to extend under the heater and in front of the door. See dimensions for floor protector. Similarly a 200mm extension is required on each side of the door opening unless the insulated floor protector forms an abutment with a wall or heat shield at a lesser distance.

The heater and floor protector must be fixed to the floor for seismic restraint. Anchor points are provided in the feet of the unit.

### **INSULATED FLOOR PROTECTOR CONSTRUCTION**

An **Insulated** Floor Protector shall consist of a minimum thickness of **40mm** consisting of 20mm of an approved insulation material i.e. 2 sheets 10mm micorboard or superlux, 10mm tile backing board and 10mm tiles or similar on the top surface. All joints on the upper surface should be sealed to prevent spilt ash from contacting any heat-sensitive material.

### **FLOOR PROTECTOR DIMENSIONS** **WHEN BEING INSTALLED IN A MASONRY FIRE PLACE** **FLOOR PROTECTOR DEPTH**

HEIGHT	FROM FIRE BREAST
Level	520
20	460
40	330 (minimum)

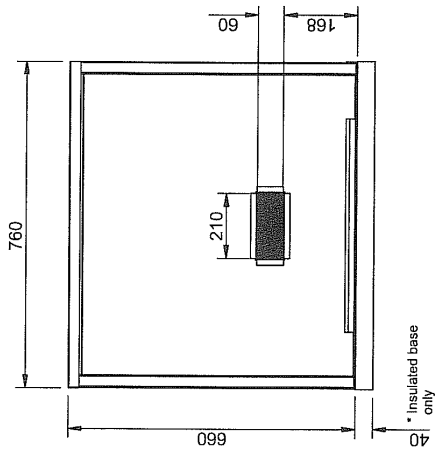
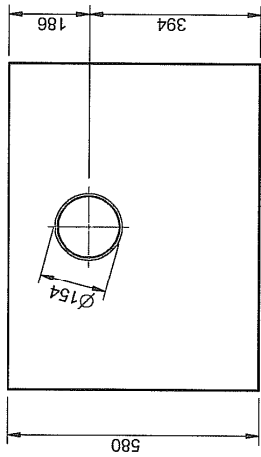
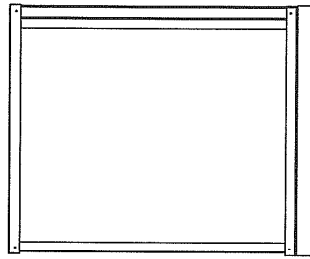
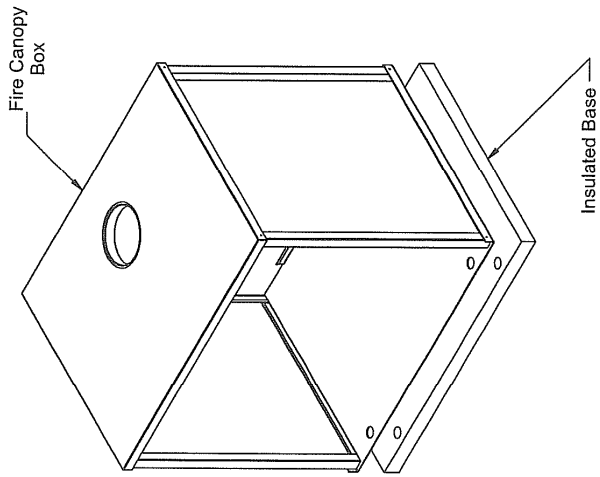
### **INBUILT FLOOR PROTECTOR DIMENSIONS** **WHEN INSTALLING IN A BUILT IN FIRE CANOPY** **(ZERO CLEARANCE BOX)**

HEIGHT	FROM FIRE BREAST
40mm	500

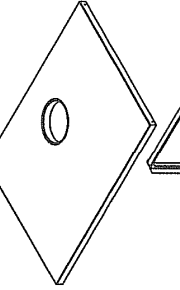
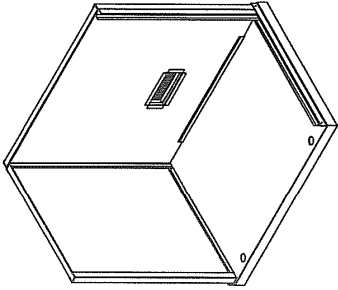
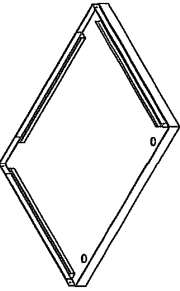
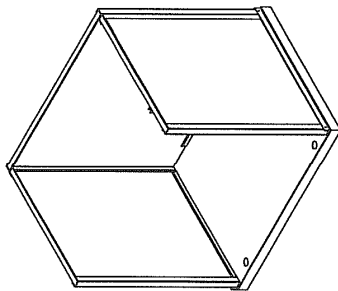
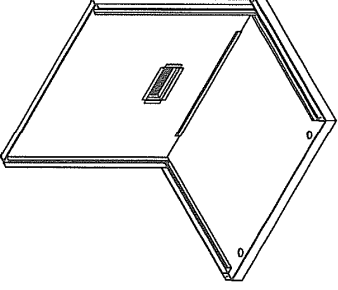
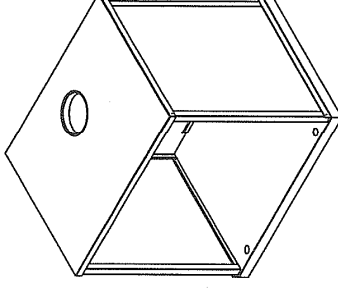
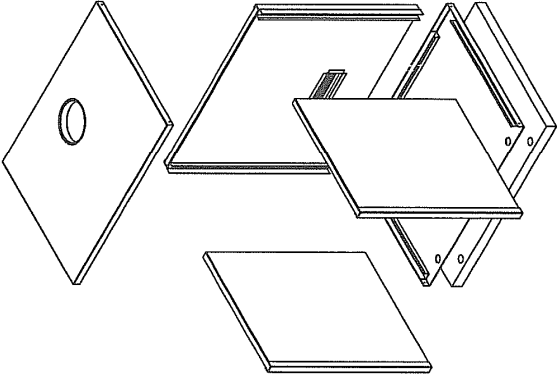
## **3. BUILT IN FIRE CANOPY**

**A Built In Fire Canopy is required if the fire is not being installed into a masonry fire place.**

For Built In Fire Canopy installations see details on pages 6 to 14.



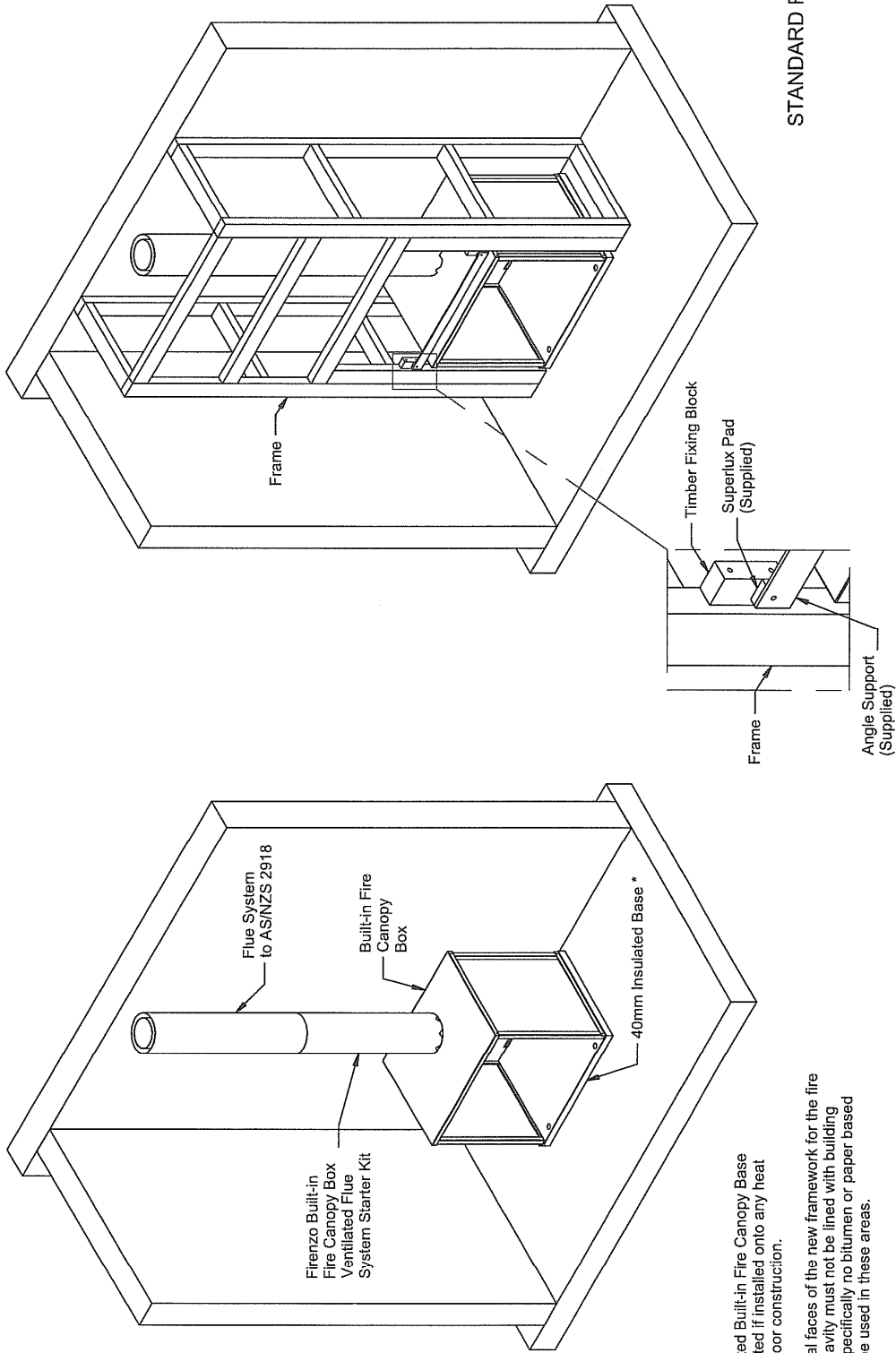
TITLE  
BUILT IN FIRE CANOPY (Dimensions)

	<p><b>STAGE 1</b> Place Insulation Base on Combustible Floor</p>		<p><b>STAGE 4</b> Position first Side Panel into Rear Panel and Metal Base Panel grooves</p>
	<p><b>STAGE 2</b> Place Metal Base on top of Insulation Base Ignore Stages 1 for Non-Combustible Floors</p>		<p><b>STAGE 5</b> Position second Side Panel into Rear Panel and Metal Base Panel grooves</p>
	<p><b>STAGE 3</b> Position Rear Panel into Metal Base rear groove</p>		<p><b>STAGE 6</b> Place Top Panel in position, making sure to locate the Side Panels and Rear Panel into the Top Panel grooves. Secure by screwing panels together.</p>
		<p>Exploded View</p>	

TITLE  
**BUILT IN FIRE CANOPY (Assembly)**

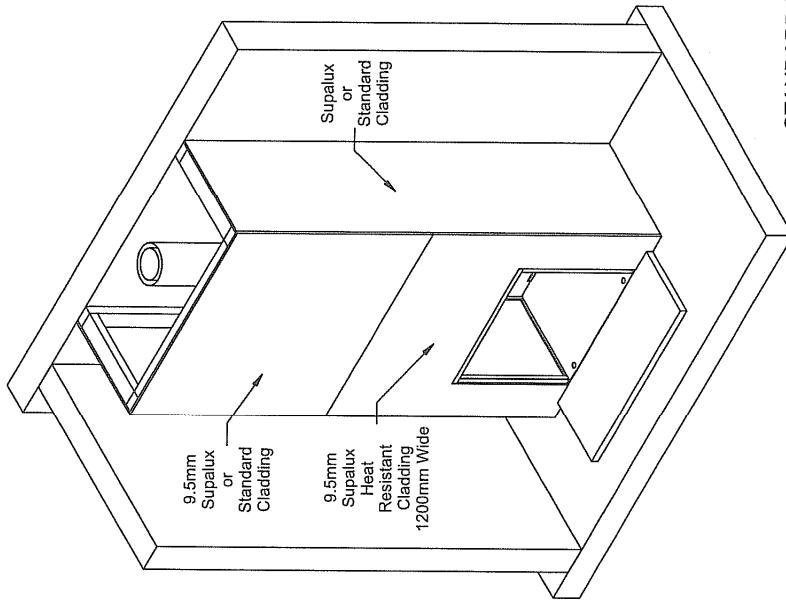
# BUILT IN FIRE CANOPY INSTRUCTIONS FOR **NON-MASONARY** INSTALLATION

DIMENSIONS IN MILLIMETERS  
UNLESS OTHERWISE STATED

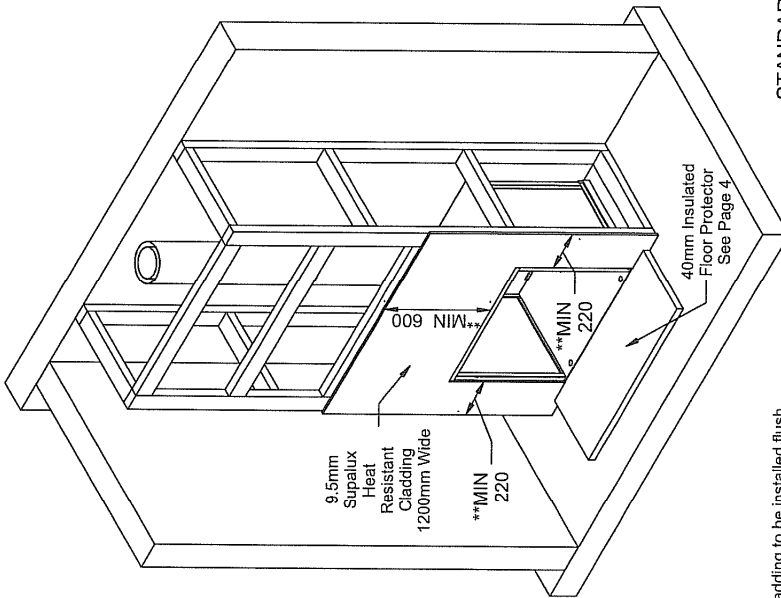


\* - 40mm Insulated Built-in Fire Canopy Base must be fitted if installed onto any heat sensitive floor construction.  
The internal faces of the new framework for the fire surround cavity must not be lined with building papers. Specifically no bitumen or paper based linings to be used in these areas.

TITLE  
**BUILT-IN FIRE CANOPY INSTALLATION**  
DRAWING NUMBER  
**FRAMING GUIDE 1**



STANDARD FRAME

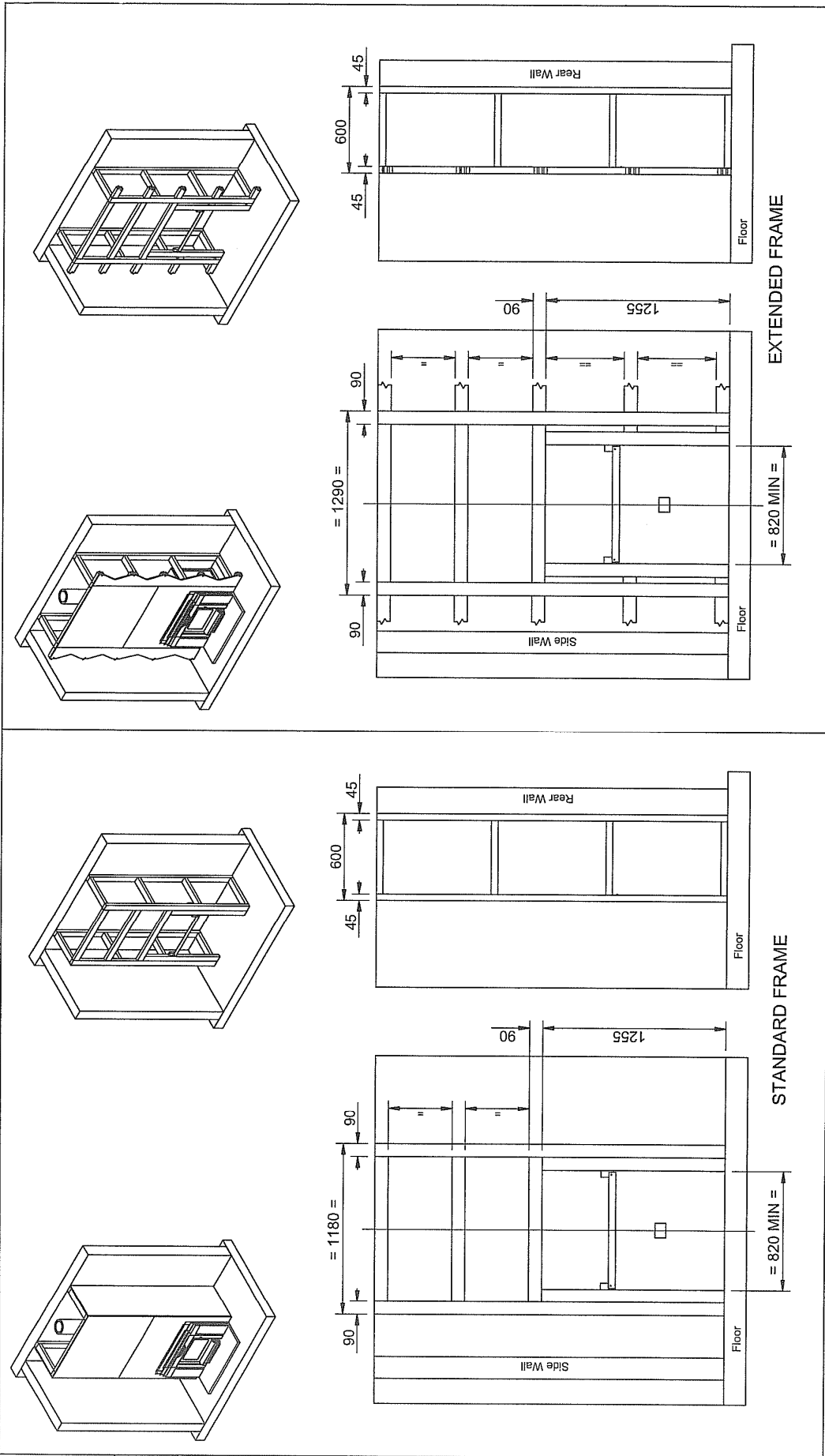


STANDARD FRAME

NB - Supalux Cladding to be installed flush to sides and top of Built-in Fire Canopy Box.

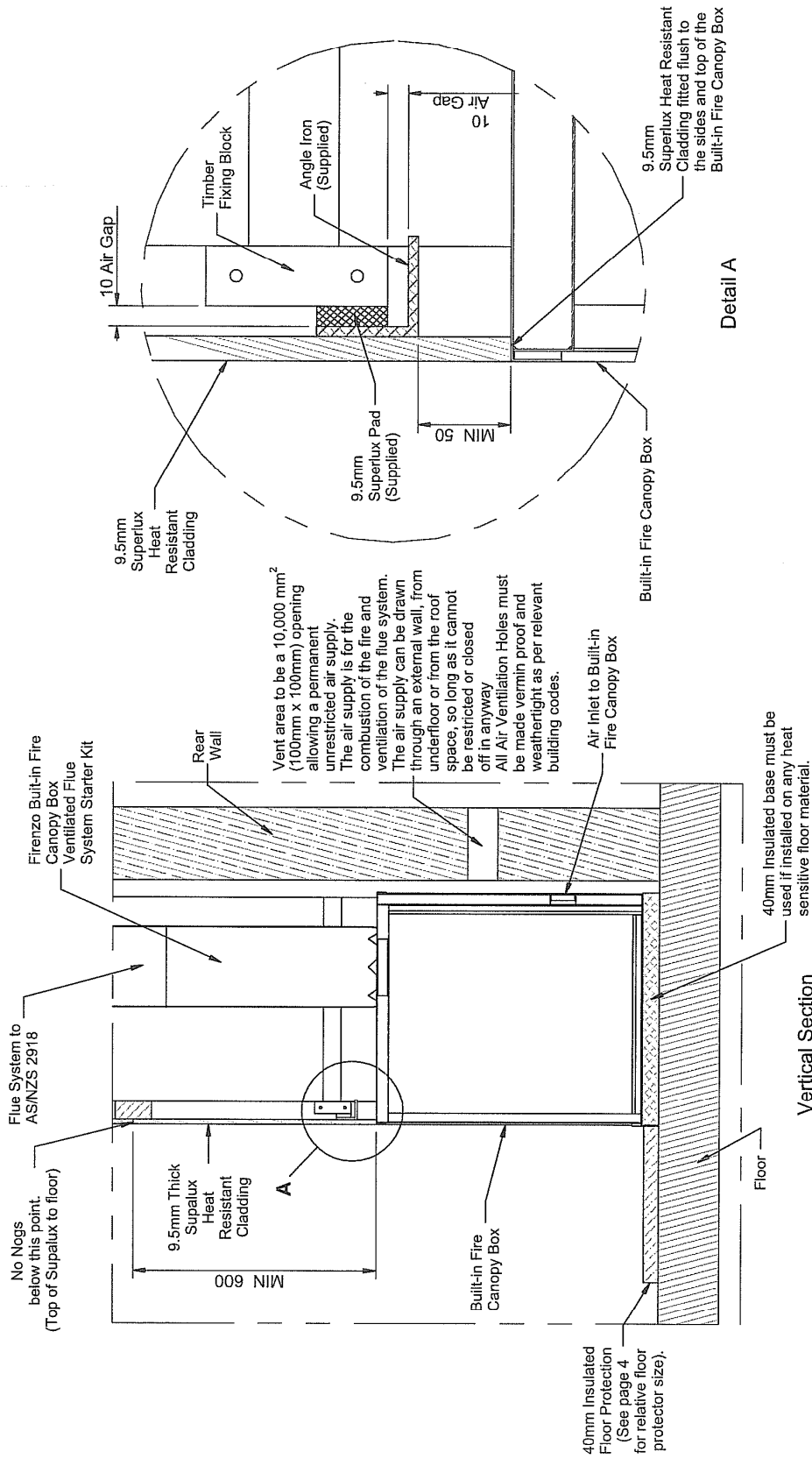
The internal faces of the new framework for the fire surround cavity must not be lined with building papers. Specifically no bitumen or paper based linings to be used in these areas.

\*\* Dimensions taken from Built-in Fire Canopy Box



TITLE  
**BUILT-IN FIRE CANOPY INSTALLATION**  
 DRAWING NUMBER  
**FRAMING GUIDE 3**

**DIMENSIONS IN MILLIMETERS  
UNLESS OTHERWISE STATED**

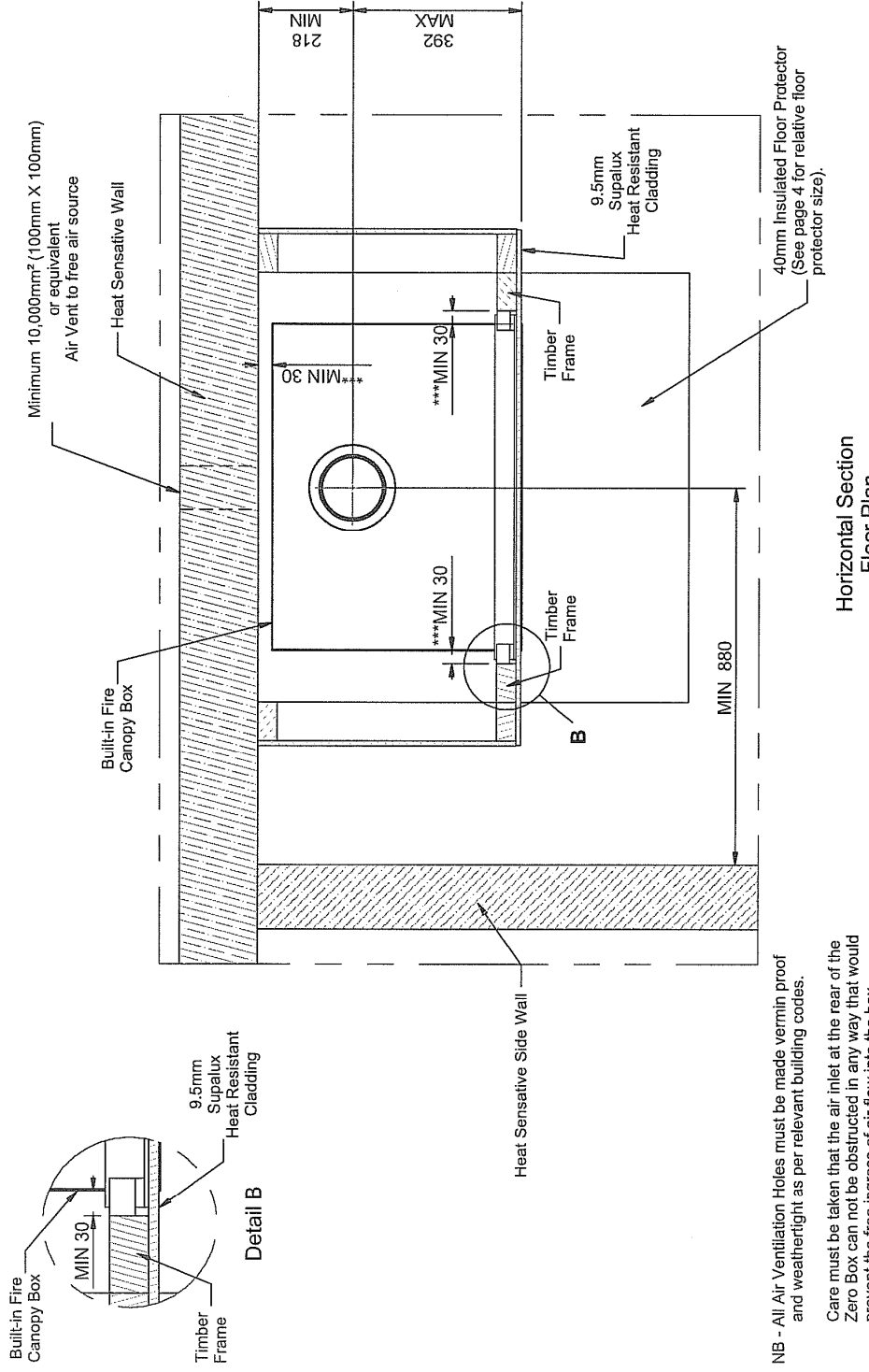


NB - Care must be taken that the air inlet at the rear of the Built-in Fire Canopy Box can not be obstructed in any way that would prevent the free ingress of air flow into the box.

**STANDARD & EXTENDED FRAME**

TITLE	BUILT-IN FIRE CANOPY INSTALLATION
DRAWING NUMBER	FRAMING GUIDE 4

**DIMENSIONS IN MILLIMETERS  
UNLESS OTHERWISE STATED**



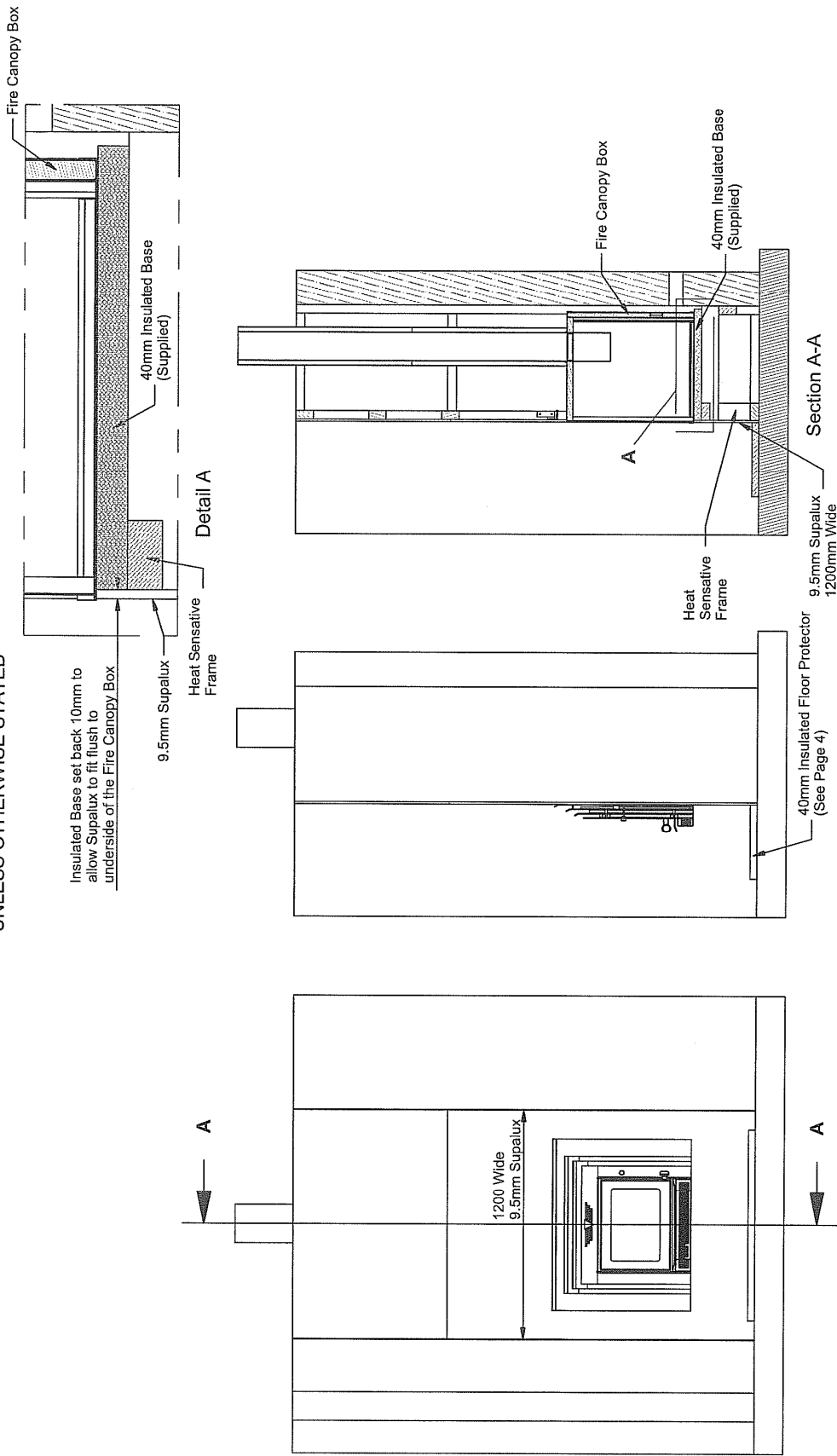
STANDARD & EXTENDED FRAME

NB - All Air Ventilation Holes must be made vermin proof and weathertight as per relevant building codes.  
Care must be taken that the air inlet at the rear of the Zero Box can not be obstructed in any way that would prevent the free ingress of air flow into the box.

\*\*\*MIN 30mm gap measured from the Built-in Fire Canopy Box to the internal faces of the new framework, the rear wall or any heat sensitive material.

TITLE	BUILT-IN FIRE CANOPY INSTALLATION
DRAWING NUMBER	FRAMING GUIDE 5

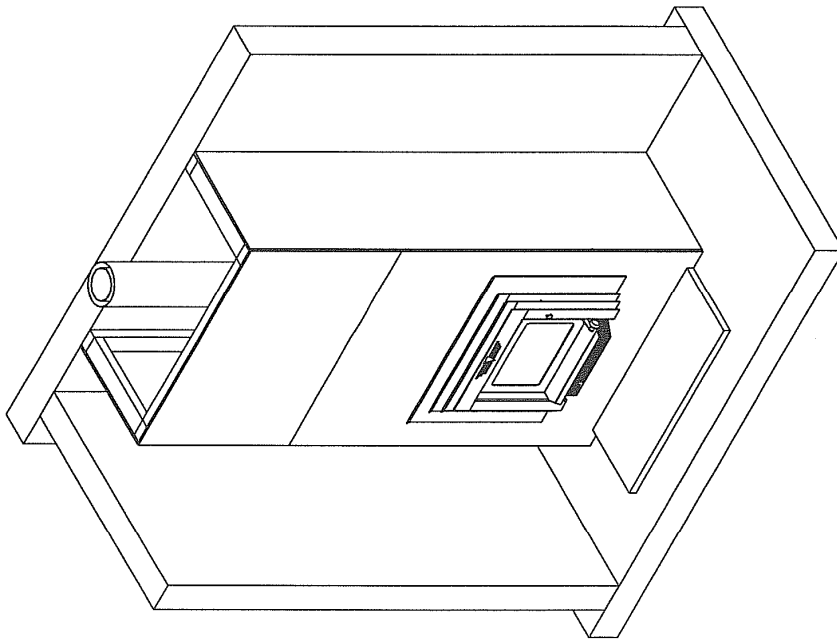
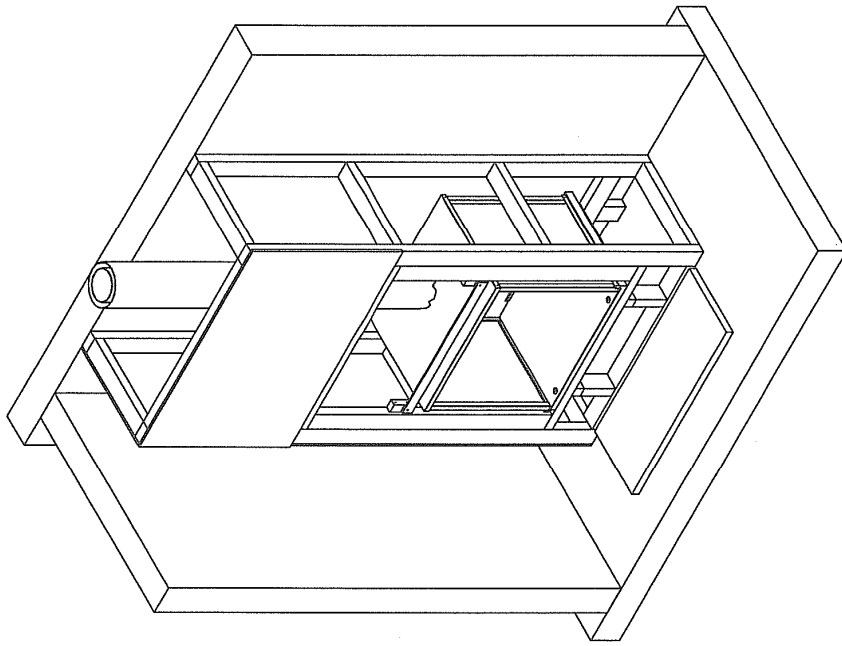
DIMENSIONS IN MILLIMETERS  
UNLESS OTHERWISE STATED



TITLE  
**RAISED BUILT-IN CANOPY**

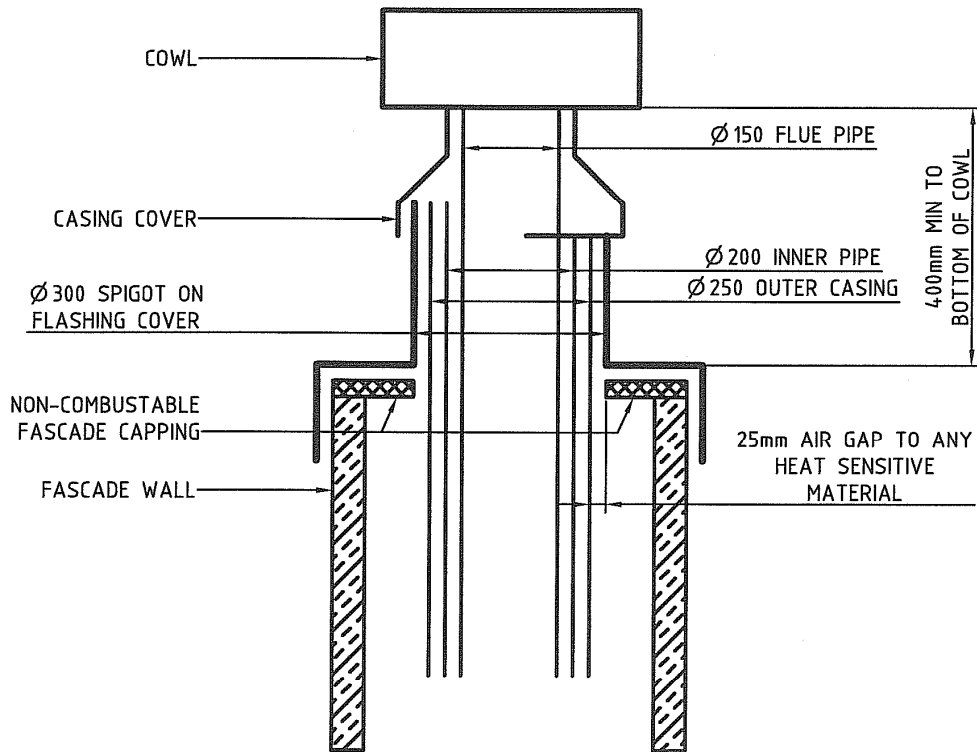
DRAWING NUMBER  
**FRAMING GUIDE 06**

DIMENSIONS IN MILLIMETERS  
UNLESS OTHERWISE STATED



TITLE  
RAISED BUILT-IN CANOPY  
DRAWING NUMBER  
FRAMING GUIDE 07

## FASCADE / CHASE TERMINATION



Please Note:

Flue system must comply to AS/NZS2918:2001 Section 4

1. The fascade capping must be made from a non-heat sensitive material i.e. 9.5mm Supalux or Hebel stone. Must be placed across the top of any wood framing.
2. The chimney flashing must have a 25mm free air clearance to the Ø250 outer casing, with a suitable oversize casing cover and a 250mm to 300mm spacer preventing the air gap from being closed. This permits air to freely flow from the fascade / chase cavity to atmosphere preventing any temperature rise within the cavity.
3. Fascade canopy must comply to all building regulations and section E2 of the building code.

## 4. PRE - INSTALLATION

(Refer diagram page 4)

### **IN A MASONRY FIREPLACE:**

Before installing your Firenzo Insert it is important to check the condition of your masonry chimney. Ensure any cracks are sealed, loose masonry repaired and the chimney swept. Check the dimensions of your fireplace opening. Firebricks may need to be removed and the floor of the opening should be level using mortar if necessary.

Ensure any gaps between the chimney face and fireplace surround are sealed with heat resistant material.

### **MANTEL – Masonry Fireplace**

If the mantel shelf is of a combustible material there should be a minimum distance above the top of the fascia of 600mm. This may be reduced to 290mm provided a Firenzo double skinned heat shield is fitted under the mantel. Firenzo heat shields are available from your Firenzo dealer.

### **MANTEL – using BUILT-IN FIRE CANOPY**

Can **NOT** have a combustible mantel, however if the mantel is made of a non heat sensitive material then the minimum distance above the top of the fascia must be 500mm.

### **SIDE SURROUNDS – MASONRY & BUILT IN FIRE CANOPY**

Clearance between the fascia and any wooden surround must be 50mm providing the timber protrudes no more than 100mm.

## 5. ASSEMBLY INSTRUCTIONS

- 1 Carefully remove all packaging.
- 2a If installation is into a **MASONRY ENCLOSURE**: Remove firebricks as necessary to fit the firebox into the opening. The firebox front when installed must be flush with the finished fireplace surround and on a level base of the same height as the finished floor protector. This may be achieved by using a concrete mix to level the base.
- 2b If installation is into a **BUILT-IN CANOPY**: Construct the canopy box as per page 7 and install into framework following guides on pages 8-14 as applicable.
- 3 Slide the firebox into the opening so that the outer casing return folds are flush with the finished fire surround.
- 4 **DUE TO NEW ZEALAND BEING AN EARTHQUAKE PRONE COUNTRY, IT IS IMPORTANT TO ANCHOR THE INSERT DOWN IN CASE OF EARTH MOVEMENT. See diagram page 20 showing Typical Insert Installation.**
- 5 Install Flue as per instructions on page 18 and 19 if installing in a masonry fireplace or page 8,9,10,11,12, 15 if using a Built-in fire canopy (zero clearance box).
- 6 Now that the firebox and flue are in position, **place 25mm white kaowool blanket (supplied) on top of casing.**
- 7 As this fire sources its combustion air from the chimney cavity/enclosure, the fire MUST be sealed around the front between the casing and the masonry or inbuilt canopy. This is achieved by packing the yellow ISB insulation supplied between the casing and the masonry or inbuilt canopy at the FRONT ONLY to maximum depth of 90mm.

**UNDER NO CIRCUMSTANCES SHOULD THE AIRPORTS ON THE SIDE OF THE HEATER BE RESTRICTED. Refer diagram page 20.**

**The fire sources its combustion air from the chimney cavity, not from the room where the fire is installed. This ventilation air should be drawn down the chimney cavity from the air gap set up when the top spacer bracket holds the weather collar off from the outer flue casing enabling air to be drawn into the chimney cavity. Failure to ensure this air supply will starve the fire of air and lead to poor performance.**

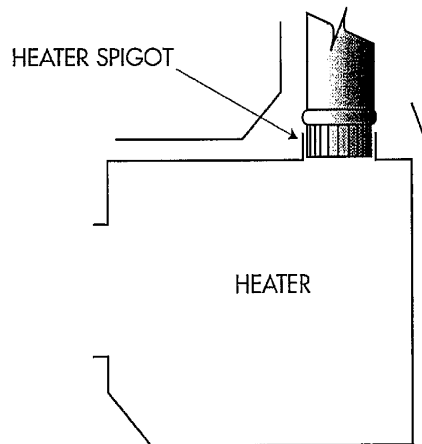
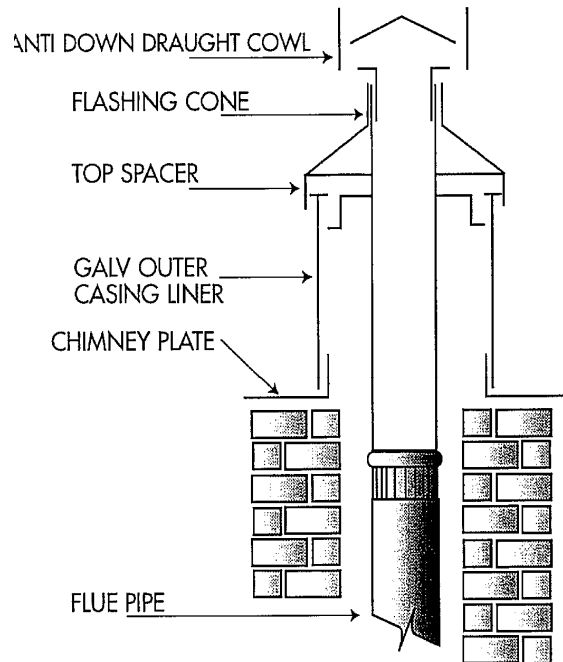
- 8 Assemble and fit the fascia as per instructions on page 21.

***NOTE:** In the case of some insert fires into existing masonry fireplaces it may be necessary to install additional adventitious ventilation into the chimney cavity as per AS/NZ 2918 3.4.1.2 to assist air flow into the fire.. This ventilation should not be taken/drawn from the room that the fire is installed in.*

## 6. INSERT FLUE SYSTEM For Installation in a Masonry Fireplace

**WARNING;** The appliance and flue system must be installed in accordance with AS/NZS 2918:2001 and the appropriate requirements of the relevant building code or codes.

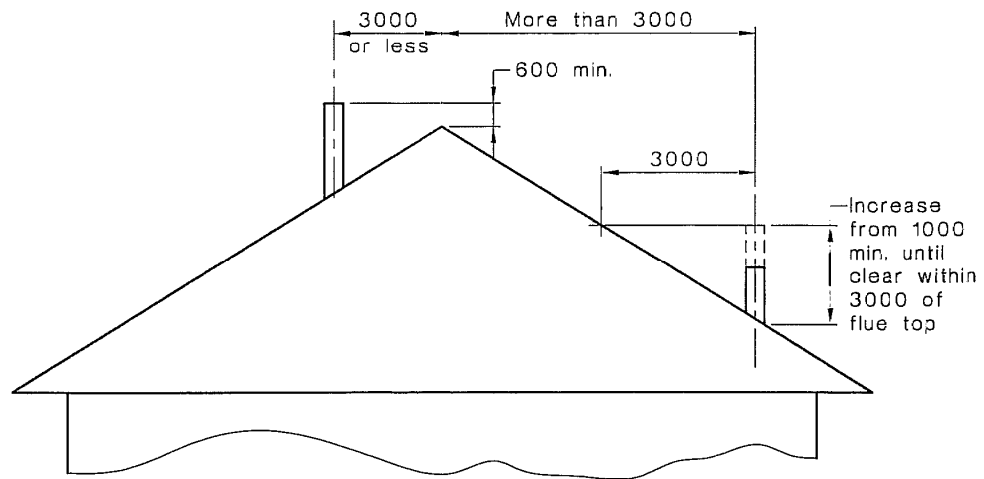
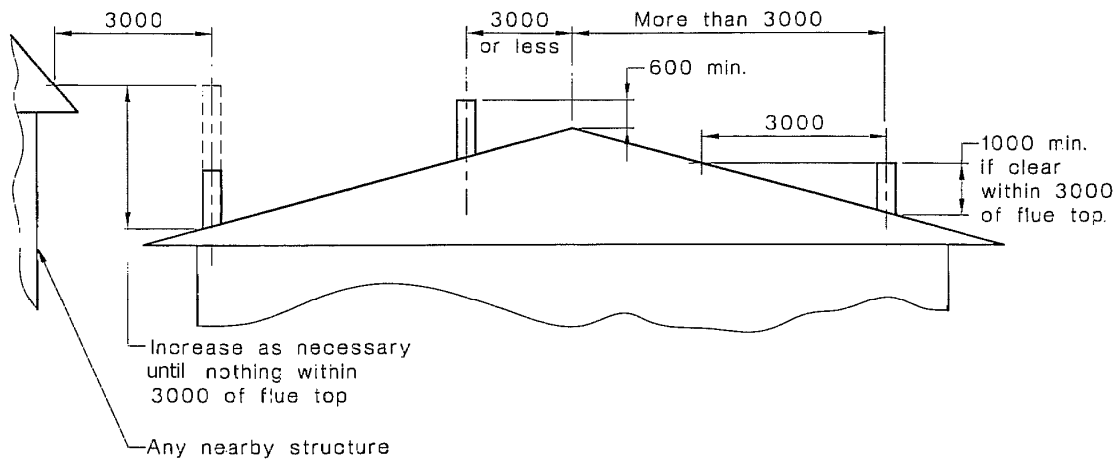
1. Position heater in fireplace. Extend plumb line from top of chimney, ensuring heater spigot is in line with top of chimney. If not, flue pipe offsets will be required.
2. Assemble flue pipes ensuring all seams are in line and assembly is straight and tight with crimped ends pointing downwards. Secure flue pipes with at least 3 stainless steel or monel rivets and seal.
3. Fasten chimney plate supplied onto the chimney top. The chimney plate must be weather sealed with silicone or mortar.
4. Install chimney liner on top of the chimney plate.
5. Ensure flue pipe is extended over the chimney liner by 180mm. Secure top spacer bracket to the flue pipe and ensure slots fit snugly inside the chimney liner.
6. Slide flashing cone over top of flue, until it rests firmly over top spacer. Ensure ventilation gap is not closed off. Secure with pop rivets or self tapping screws.
7. Fit anti-down draught cowl. Do not secure as it must be removed for cleaning.



**CAUTION:** Mixing of flue system components from different sources or modifying the dimensional specifications of components may result in hazardous conditions. Where such action is considered the flue manufacturer should be consulted in the first instance.

*Refer also to notes on page 19 regarding height of flue system outlet.*

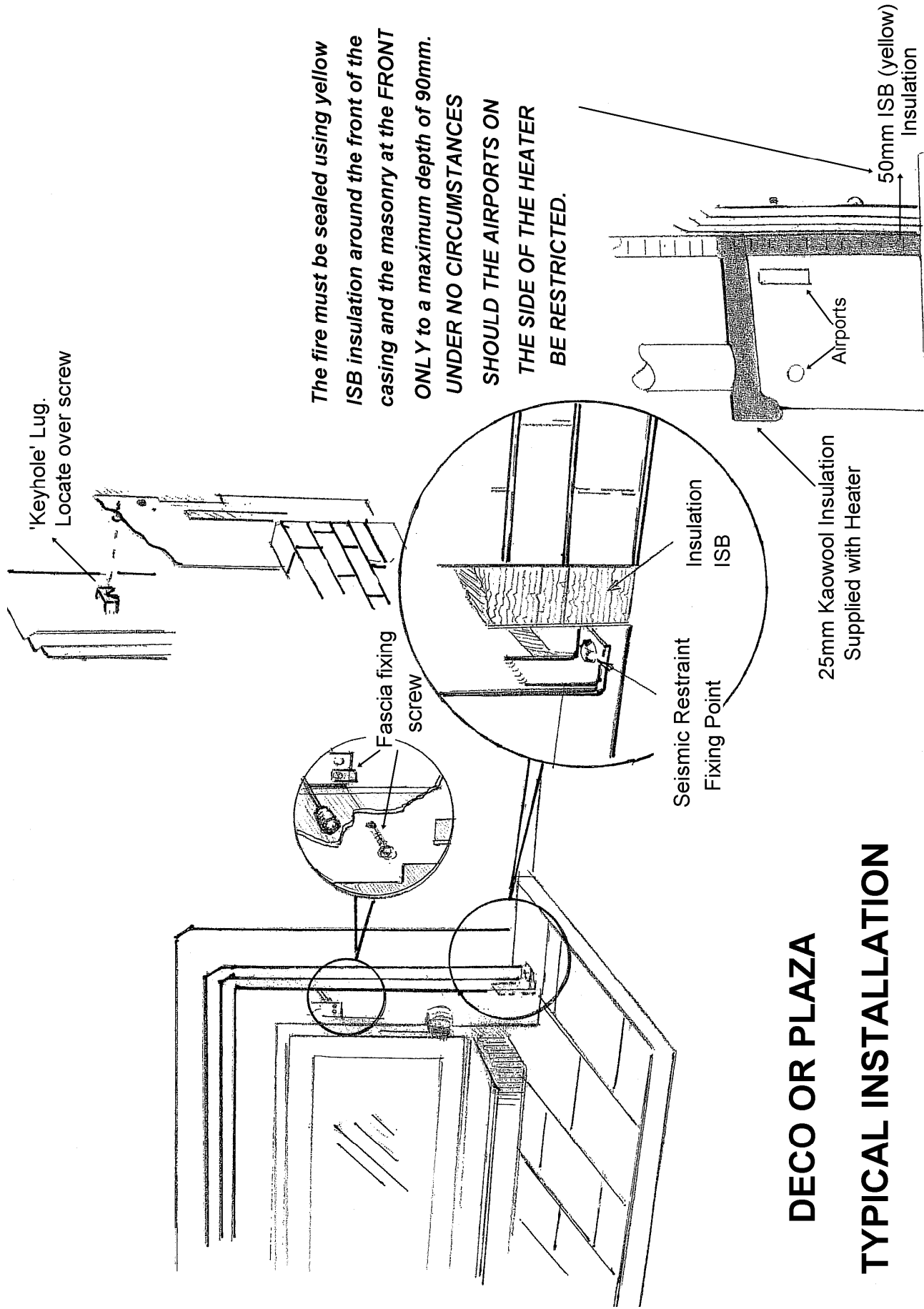
## MINIMUM HEIGHT OF FLUE SYSTEM OUTLET



DIMENSIONS IN MILLIMETRES

### NOTES:

1. The flue pipe shall extend not less than 4.6m above the top of the floor protector.
2. The flue cowl must be at least 600mm above the highest point of the roof if within 3 metres of it, or 1 metre above the roof penetration if more than 3 metres from the ridge.
3. No part of the building, or any adjacent building may be in or above a circular area of a horizontal radius of 3 metres from the flue exit.



## DECO OR PLAZA TYPICAL INSTALLATION

## 7. FASCIA ASSEMBLY & INSTALLATION

### **DECO URBAN SD OR PLAZA URBAN SD (STEEL DOOR)**

- 1 Remove screws fixed to lugs on firebox side.
- 2 Place single back plate against firebox and replace screws.
- 3 Fit lower grill over screws and tighten.
- 4 Place the keyhole brackets on the 3 plate fascia over the protruding screws on the backplate to fit.
- 5 Locate the air control extrusion onto the control rod behind the fascia.  
(Plaza requires only the knob to be fitted).
- 6 Fit the ash lip lugs over the two 6mm screws on body and tighten.

# FIRENZO

## WOODFIRES

by

## HEWITSONS LIMITED

*Manufacturers of:*

**Lady Kitchener**

**Contessa**

**Coaster**

**Bronte**

**Viking**

**Royale**

**Zealandia**

**Athena**

**Forte**

**Aqualux**

68 Austin Street

PO Box 3231

Onekawa

Napier

Phone: 06 8438260

Fax: 06 8430505

Website: [www.firenzo.co.nz](http://www.firenzo.co.nz)

Email: [hothouse@firenzo.co.nz](mailto:hothouse@firenzo.co.nz)