



**FIRENZO**  
WOODFIRES

**Please read this booklet and keep for future reference for the safe installation and operation of your:**

**CONTESSA AG**

**DRY MODEL**

**FREESTANDING CLEAN AIR WOODBURNER**



All installations must be in accordance with these instructions. Consult with the building authority having jurisdiction to determine the need for a permit prior to commencing the installation. Failure to follow these instructions may also void your fire insurance and warranty.

*This fire conforms with Ecan Requirements*

**Please leave this manual with the owner when installation is complete.**

Please complete and return your warranty registration card which is enclosed.

**INDEX**

Page No:	Item No:	Topic
3	1	Warnings
4	2	Installation Responsibilities
4	3	Floor Protector Requirements
5	4	Installation Clearances
6	5	Assembly Instructions
7		Fitting Seismic Restraints
8	6	Flue Installation
9		Minimum Height of Flue Exit
10		Position of Triangular Baffles

*Published 19/5/2011*

## 1. WARNINGS

THIS APPLIANCE SHOULD BE MAINTAINED AND OPERATED AT ALL TIMES IN ACCORDANCE WITH THESE INSTRUCTIONS.

The **Contessa AG** is tested to N.Z. Standards AS/NZS 2918:2001.

If this heater is incorrectly installed a house fire may result. For your safety follow the installation instructions carefully.

Do NOT connect the heater to a chimney serving another appliance.

Although the exterior of the heater may appear cool, contact with the unit may cause burns, warn children and others of the possibility of injury should they touch the heater.

Do NOT dry clothing or unseasoned wood directly in contact with the heater.

Keep all household combustible materials at least 600mm away from front of the heater. This includes clothing, furniture, wood, newspaper, plastic, matches, etc.

**DO NOT USE FLAMMABLE LIQUIDS OR AEROSOLS IN THE VICINITY OF THIS APPLIANCE WHEN IT IS OPERATING.**

Use caution when reloading with fuel. Do NOT attempt to load fuel into the heater when the fire inside the stove is at or near its peak.

Do NOT burn large quantities of paper or combustible material that would create an extremely hot/quick fire.

**USE ONLY DRY WOOD.** AVOID BURNING WET OR GREEN WOOD.

THE USE OF SOME TYPES OF PRESERVATIVE TREATED WOOD AS A FUEL CAN BE HAZARDOUS.

TIMBER TREATED WITH COPPER CHROMIUM AND ARSENIC TYPE PRESERVATIVES WILL LEAVE TOXIC RESIDUES IN THE ASH, FIREBOX OR WITHIN THE FLUE; TIMBER OFFCUTS FROM BUILDING CONSTRUCTION WILL OFTEN CONTAIN BORIC SALTS. THE COMBUSTION OF THIS MATERIAL OVER PROLONGED PERIODS CAN PRODUCE ADVERSE EFFECTS ON REFRACTORY LINING IN SOLID FUEL APPLIANCES. EMISSION OF POISONOUS GASES CAN ALSO BE EXPERIENCED WITH THE BURNING OF TREATED WOOD.

Driftwood with salt content will also cause rapid deterioration of the heater and should not be used.

## 2. INSTALLATION RESPONSIBILITIES

**WARNING: THE APPLIANCE AND FLUE SYSTEM SHALL BE INSTALLED IN ACCORDANCE WITH AS/NZ 2918:2001 AND THE APPROPRIATE REQUIREMENTS OF THE RELEVANT BUILDING CODE OR CODES.**

**ANY MODIFICATION OF THE APPLIANCE THAT HAS NOT BEEN APPROVED IN WRITING BY THE TESTING AUTHORITY IS CONSIDERED TO BE IN BREACH OF THE APPROVAL GRANTED FOR COMPLIANCE WITH AS/NZS 4013.**

*CAUTION:* MIXING OF APPLIANCE OR FLUE-SYSTEM COMPONENTS FROM DIFFERENT SOURCES OR MODIFYING THE DIMENSIONAL SPECIFICATION OF COMPONENTS MAY RESULT IN HAZARDOUS CONDITIONS. WHERE SUCH ACTION IS CONSIDERED, THE MANUFACTURER SHOULD BE CONSULTED IN THE FIRST INSTANCE.

Strict adherence to these instructions will meet these standards. Any variation from these installation instructions or any doubt about them must be checked against the requirements of the Standards.

## 3. FLOOR PROTECTOR REQUIREMENTS

The heater should always be installed on top of its base due to high temperatures sustained over long periods. The base must be anchored to both the floor protector and the floor for seismic restraint. Anchor points are provided in the base or on the rear legs.

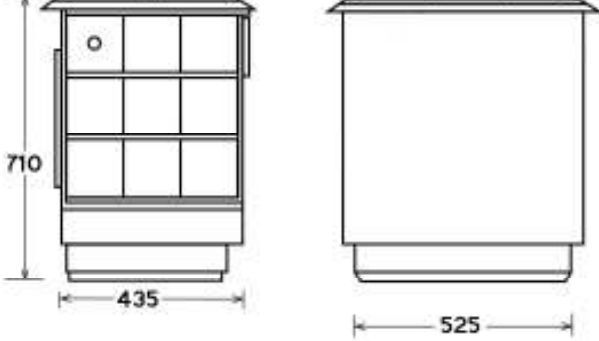
### **PEDESTAL, DRAWER BASE & LEGS MODELS:**

If the heater is to be placed on or within 500mm of a heat sensitive floor, an **insulated floor protector** with a minimum thickness of **40mm** is required consisting of 20mm of an approved insulation material i.e. 2 sheets of 10mm micorboard or superlux, 10mm tile backing board and 10mm tiles or similar on the top surface. All joints on the upper surface should be sealed to prevent spilt ash from contacting any heat-sensitive material.

## 4. INSTALLATION CLEARANCES

When installing the Contessa AG on a leg base **ADD 70mm** to vertical measurements.

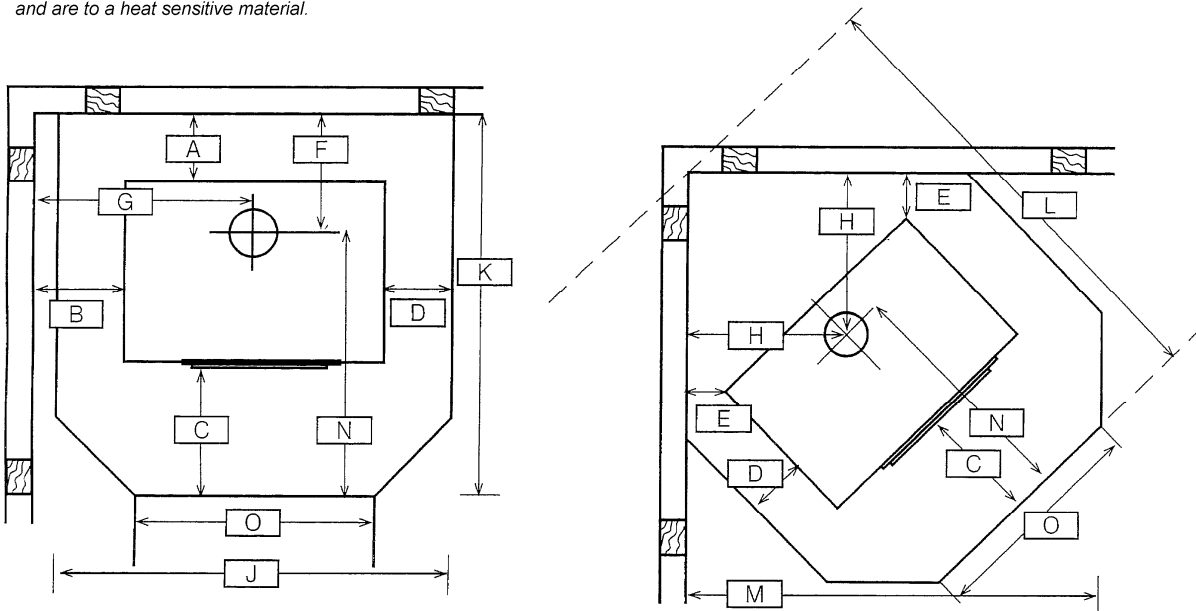
CONTESSA AG		
FLUE SIZE		150mm
FIREBOX SIZE	HEIGHT	340mm
	WIDTH	460mm
	DEPTH	370mm

HEATER MUST BE INSTALLED WITH A FLUE PIPE SHIELD														
CLEARANCES	A	B	C	D	E	F	G	H	J	K	L	M	N	O
ON PEDESTAL OR DRAWER	130*	280	420	110	100	260*	600	420	860	1055*	1380	1200	795	600
ON LEGS	130*	280	350	110	100	260*	600	420	860	985*	1310	1130	725	600

\*Clearances A, F & K can be reduced BY 30mm provided a Contessa cooktop grill is fitted to the fire.

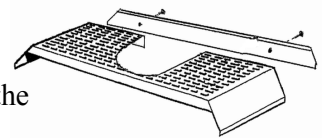
*Clearances are in accordance with the requirements of AS/NZS 2918:2001 and are to a heat sensitive material.*



If the heater is to be placed on or within 500mm of a heat sensitive floor an insulated floor protector will be required (page 4).

## 5. ASSEMBLY INSTRUCTIONS

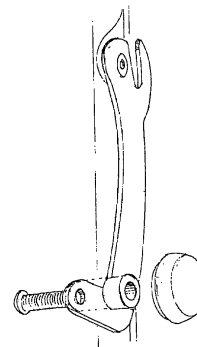
1. Remove all packaging and timber.
2. Remove parts from inside the firebox.
3. Position the base with angle steel down onto the floor protector, taking the necessary final clearance into consideration. The base has the flue centre indicated on the anchoring bracket. The label next to this point states the minimum clearances from the base to combustible surfaces. These measurements coincide with the figures on page 4 for the heater clearances when assembled.
4. At this point a hole in the ceiling to accommodate the flue may be cut and the liners installed.
5. Remove both front and rear top castings.
6. Place firebox on base.
7. Check that the two triangular bricks on top of the baffles are sitting correctly – refer diagram on page 10.
8. Replace the rear top casting and refit the front top casting ensuring it fits neatly into the rear sealed channel.
9. Refit the stainless steel spigot in the top rear section of the firebox.
10. Assemble and fit flue as per instructions (page 8 & 9). A flue shield must be fitted.
11. *If the option of reducing dimension A to 100mm* was used then the optional cooktop grill should be fitted on the top rear casting of the fire at this stage. Secure to the rear heatshield on the fire with the bolts provided.



12. Secure the both the wood-burner and floor protector to the floor for seismic restraint as shown on page 7. **DUE TO NZ BEING AN EARTHQUAKE PRONE COUNTRY, IT IS IMPORTANT TO ANCHOR THE CONTESSA DOWN IN CASE OF EARTH MOVEMENT.**

13. Assemble and fit the gold/chrome plated or black rails.
14. Fit door knob. »»»

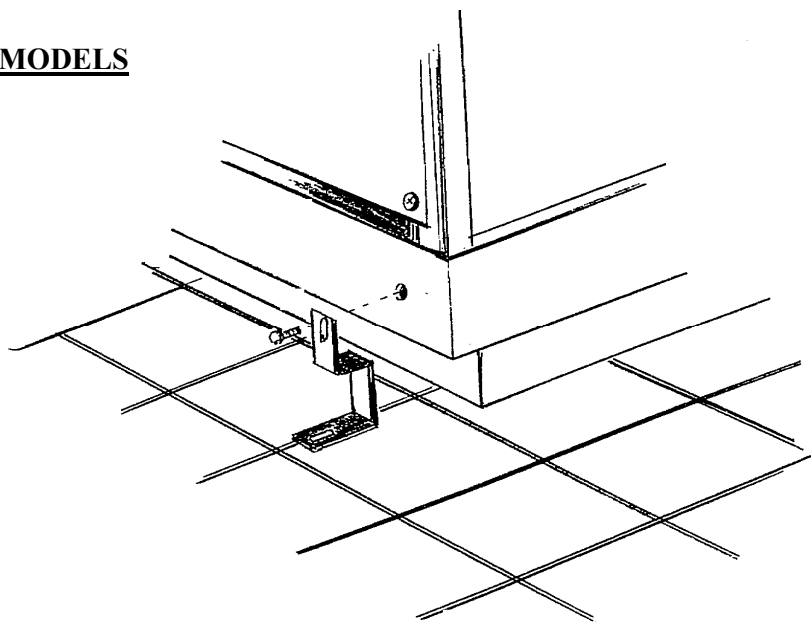
15. Fit the control knob - place the flat on the knob to the flat on the air control shaft situated on the right hand side of the fire. Press home firmly.



## **FITTING SEISMIC RESTRAINT BRACKETS ON CONTESSA AG**

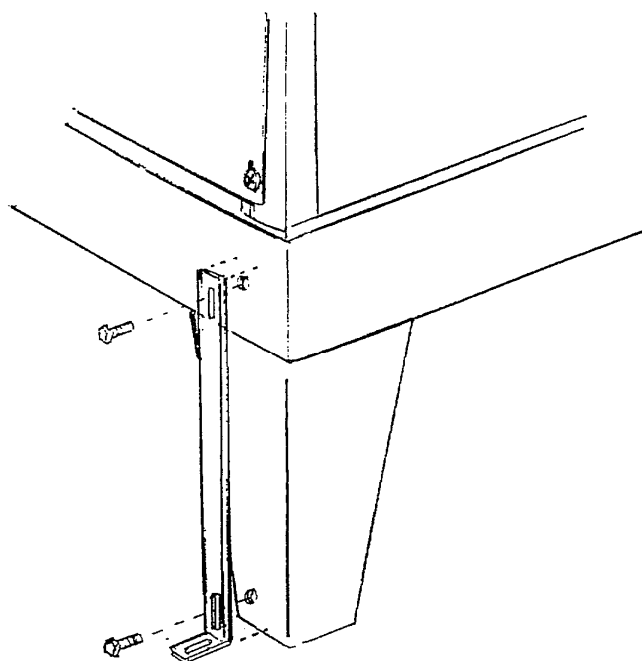
### **PEDESTAL OR DRAWER BASE MODELS**

1. Remove bolts at rear of fire box
2. Fit Seismic Restraint brackets
3. Secure both the floor protector and the appliance to the floor using a dyna bolt or similar.



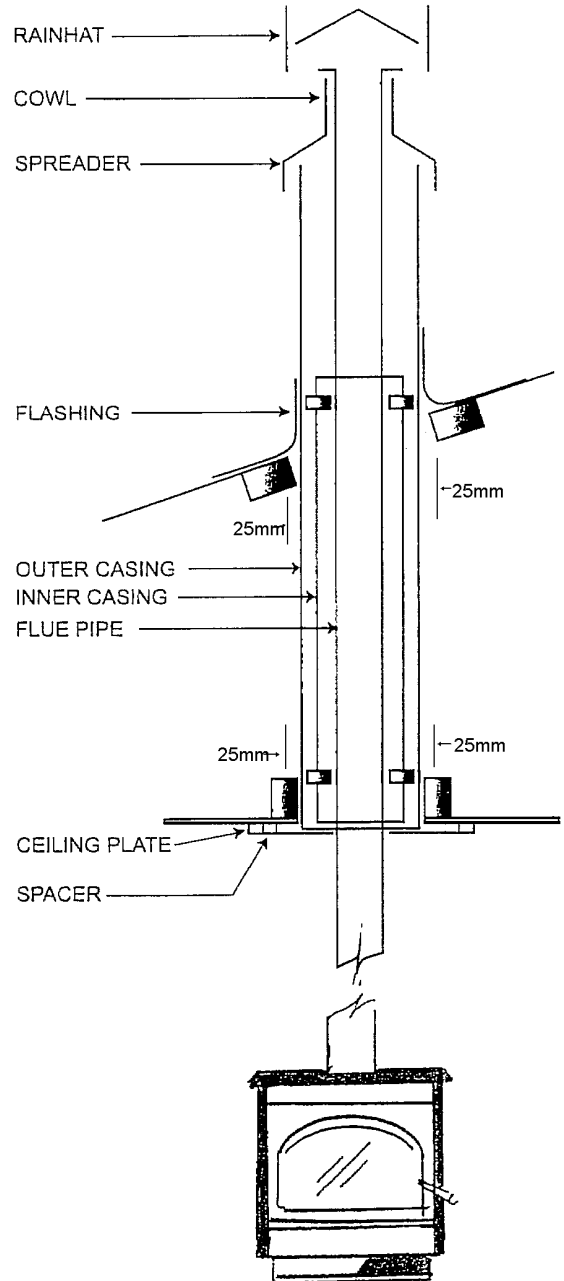
### **LEG MODELS**

1. Place firebox on leg assembly and fit brackets.
2. Locate as per appropriate clearances
3. Secure both the floor protector and the appliance to the floor using a dyna bolt or similar.



## 6. FREESTANDING FLUE SYSTEM INSTALLATION INSTRUCTIONS

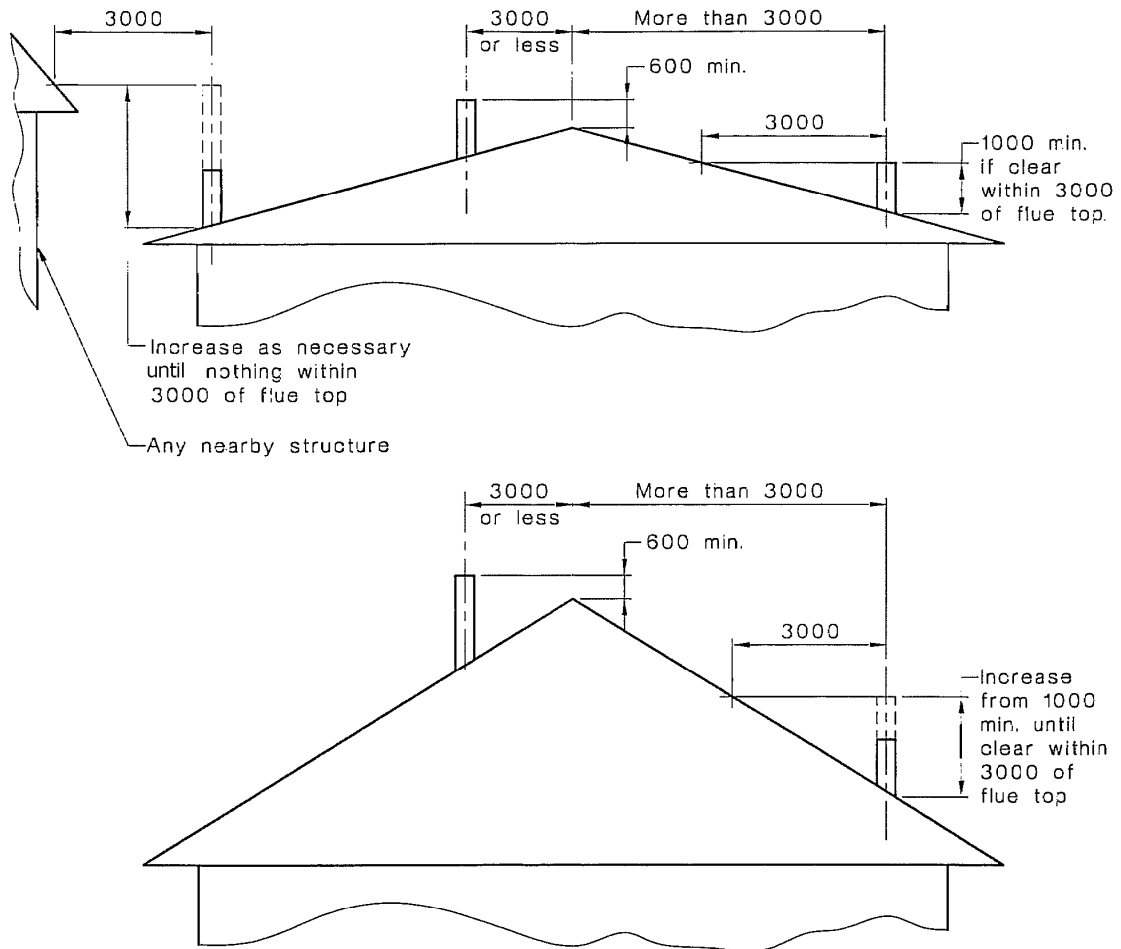
1. Position heater on floor protector ensuring all heater clearances are correct as per clearances on page 5.
2. Once the location is confirmed, the appliance and floor protector shall be fixed to the floor itself (refer to page 6 & 7).
3. Extend a plumb line from the centre of the fire flue pipe spigot to the ceiling. Mark position on ceiling and roof.
4. Trim hole and nog as required ensuring that a 25mm safe clearance between combustible materials and flue components is maintained. Fix with non combustible spacers and screws or clouts on all four sides.
5. Cut and frame (when required) an opening in the roof, position the outer casing through the roof until it is flush with the under side of the ceiling, making sure as with the ceiling there is a 25mm safe clearance between non-combustible materials and the flue components. Fix as in step 4.
6. Fix appropriate flashing around outer casing to the roof to ensure a weatherproof seal.
7. Assemble flue pipe sections ensuring all seams are in line, the assembly is straight and crimped. Ends are pointing downwards. Fix each joint with three stainless rivets or self-tapping screws.
8. Place ceiling plate with folded edges upwards over heater spigot.
9. Position the flue pipe into the heater spigot. The flue pipe can either lowered from the top as a single unit or fed up from the room a length at a time, ensuring that all joints are fixed properly.
10. Slide the inner casing into place, between the outer casing and the flue pipe.
11. The flue pipe must extend 200mm above the outer casing.  
Note: Extra lengths of flue pipe, inner and outer casing may be required to achieve the minimum clearance from the roof.
12. Slide top spreader over flue pipe down into outer and inner casing and tighten.
13. Slide cowl over flue pipe until it rests on spreader. Secure with rivets or self-tapping screws.
14. Fit rainhat. Do not fasten as it must be removable for flue pipe cleaning.
15. Fix ceiling plate to ceiling maintaining an even gap all around the flue pipe.  
Note: Ensure ceiling plate is spaced off from the ceiling with ceramic spacers supplied.



**CAUTION:** Mixing of appliance or flue system components from different sources or modifying the dimensional specifications of components may result in hazardous conditions. Where such action is considered the manufacturer should be consulted in the first instance.

**WARNING:** The appliance and flue system shall be installed in accordance with AS/NZS 2918:2001 and the appropriate requirements of the relevant building code or codes.

## MINIMUM HEIGHT OF FLUE SYSTEM OUTLET



DIMENSIONS IN MILLIMETRES

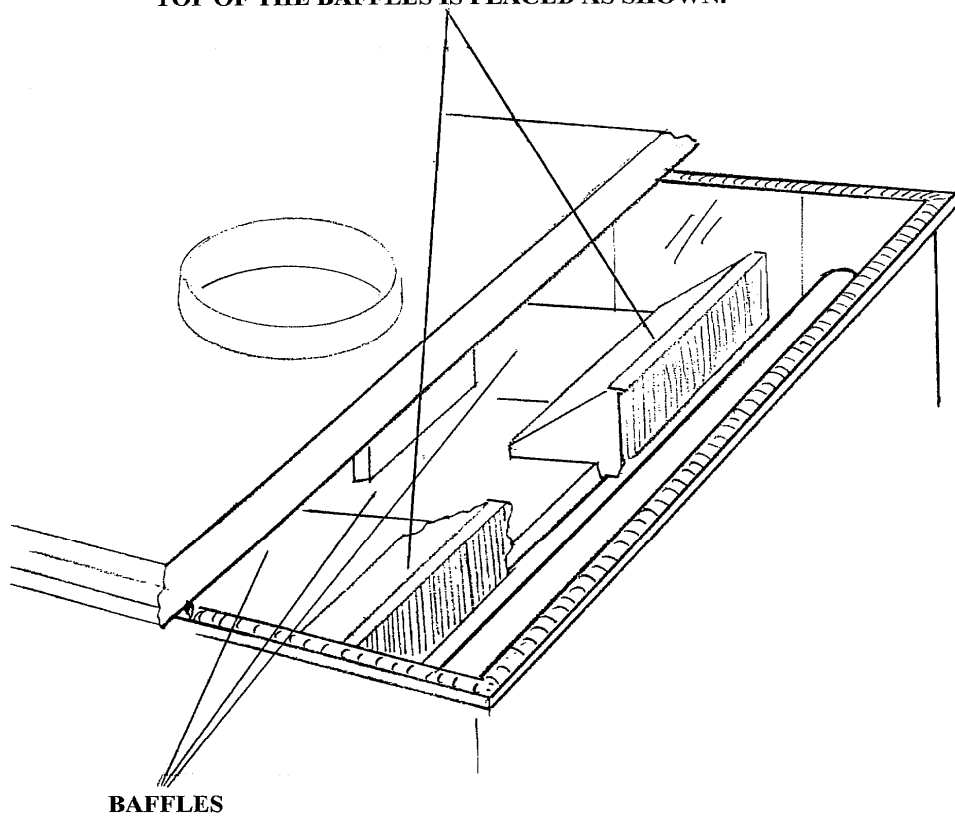
### NOTES:

1. The flue pipe shall extend not less than 4.6m above the top of the floor protector.
2. The flue cowl must be at least 600mm above the highest point of the roof if within 3 metres of it, or 1 metre above the roof penetration if more than 3 metres from the ridge.
3. No part of the building, or any adjacent building may be in or above a circular area of a horizontal radius of 3 metres from the flue exit.

# CONTESSA AG

## IMPORTANT

UPON INSTALLATION CHECK THAT THE TRIANGULAR BRICK ON TOP OF THE BAFFLES IS PLACED AS SHOWN.



# **FIRENZO**

## **WOODFIRES**

by

## **HEWITSONS LIMITED**

*Manufacturers of:*

**Lady Kitchener**

**Contessa**

**Coaster**

**Bronte**

**Dante**

**Royale**

**Viking**

**Zealandia**

**Aqualux**

**Athena**

**Forte**

**Plaza**

**Deco**

68 Austin Street

PO Box 3231

Onekawa

Napier

Phone: 06 8438260

Fax: 06 8430505

Email: [hothouse@firenzo.co.nz](mailto:hothouse@firenzo.co.nz)

Website: [www.firenzo.co.nz](http://www.firenzo.co.nz)