



FIRENZO
WOODFIRES

Please read this booklet, for the safe installation of your

COASTER

MULTI FUEL FIRE

The Appliance and Flue System must be installed in accordance with AS/NZS2918. Consult with the building authority having jurisdiction to determine the need for a permit prior to commencing the installation. Failure to follow these instructions may also void your fire insurance and warranty.

INDEX

Item	
1	Warnings
2	Installation Responsibilities
3	Floor Protector Requirements & Clearances
4	Assembly Instructions
5	Flue Requirements
6	Flue Installation Instructions
7	Water Heating



1. WARNINGS

THIS APPLIANCE SHOULD BE MAINTAINED AND OPERATED AT ALL TIMES IN ACCORDANCE WITH THESE INSTRUCTIONS.

The Coaster is tested to AS/NZS 2918:2001.

If this heater is incorrectly installed a house fire may result. For your safety follow the installation instructions carefully.

Do NOT connect the heater to a chimney serving another appliance.

Although the exterior of the heater may appear cool, contact with the unit may cause burns, warn children and others of the possibility of injury should they touch the heater.

Do NOT dry clothing or unseasoned wood directly in contact with the heater.

Keep all household combustible materials at least 600mm away from front of the heater. This includes clothing, furniture, wood, newspaper, plastic, matches, etc.

DO NOT USE FLAMMABLE LIQUIDS OR AEROSOLS IN THE VICINITY OF THIS APPLIANCE WHEN IT IS OPERATING.

Use caution when reloading with fuel. Do NOT attempt to load fuel into the heater when the fire inside the stove is at or near its peak.

Do NOT burn large quantities of paper or combustible material that would create an extremely hot/quick fire.

USE ONLY DRY WOOD. AVOID BURNING WET OR GREEN WOOD.

THE USE OF SOME TYPES OF PRESERVATIVE TREATED WOOD AS A FUEL CAN BE HAZARDOUS.

TIMBER TREATED WITH COPPER CHROMIUM AND ARSENIC TYPE PRESERVATIVES WILL LEAVE TOXIC RESIDUES IN THE ASH, FIREBOX OR WITHIN THE FLUE; TIMBER OFFCUTS FROM BUILDING CONSTRUCTION WILL OFTEN CONTAIN BORIC SALTS. THE COMBUSTION OF THIS MATERIAL OVER PROLONGED PERIODS CAN PRODUCE ADVERSE EFFECTS ON REFRACTORY LINING IN SOLID FUEL APPLIANCES. EMISSION OF POISONOUS GASES CAN ALSO BE EXPERIENCED WITH THE BURNING OF TREATED WOOD.

Driftwood with salt content will also cause rapid deterioration of the heater and should not be used.

Edited 07/02/2011

2. INSTALLATION RESPONSIBILITIES

WARNING: THE APPLIANCE AND FLUE SYSTEM SHALL BE INSTALLED IN ACCORDANCE WITH AS/NZ 2918:2001 AND THE APPROPRIATE REQUIREMENTS OF THE RELEVANT BUILDING CODE OR CODES.

ANY MODIFICATION OF THE APPLIANCE THAT HAS NOT BEEN APPROVED IN WRITING BY THE TESTING AUTHORITY IS CONSIDERED TO BE IN BREACH OF THE APPROVAL GRANTED FOR COMPLIANCE WITH AS/NZS 2918:2001.

CAUTION: MIXING OF APPLIANCE OR FLUE-SYSTEM COMPONENTS FROM DIFFERENT SOURCES OR MODIFYING THE DIMENSIONAL SPECIFICATION OF COMPONENTS MAY RESULT IN HAZARDOUS CONDITIONS. WHERE SUCH ACTION IS CONSIDERED, THE MANUFACTURER SHOULD BE CONSULTED IN THE FIRST INSTANCE.

Strict adherence to these instructions will meet these standards. Any variation from these installation instructions or any doubt about them must be checked against the requirements of the Standards.

WARNING:

Care must be taken to protect the wetback coil and associated pipe work if being installed in a hard/corrosive water area. Damage caused to the Wetback coil if fitted in a hard/corrosive water area will not be covered under the manufacturer's warranty.

Please leave this manual with the owner when installation is complete.

Please complete for your records:

Coaster Serial Number: _____

Purchased from: _____

Date of purchase: _____

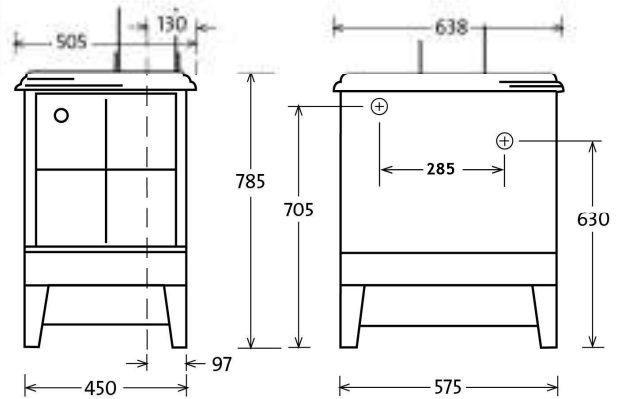
3. FLOOR PROTECTOR REQUIREMENTS AND CLEARANCES

If the heater is to be placed on or within 500mm of a heat sensitive floor, a floor protector will be required. This shall consist of a continuous layer of heat resistant material extending under the appliance to the perimeter of the protector. All joints shall be fixed to prevent separation and shall be sealed to prevent any spilt ash or embers contacting any heat sensitive material. Overall protector size shall be as per diagram.

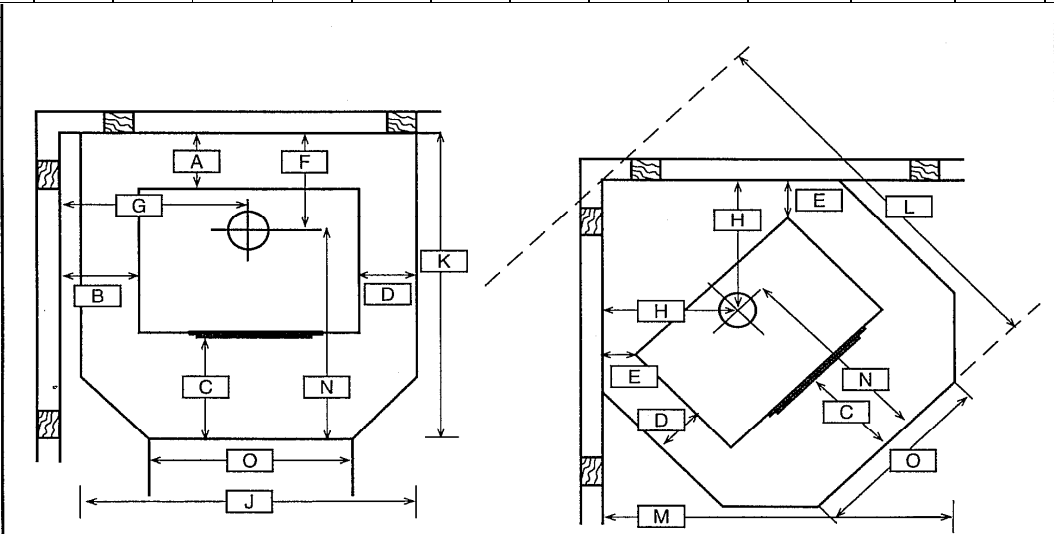
The heater and floor protector must be fixed to the floor for seismic restraint. Anchor points are provided in the feet of the unit.

Coaster Multi Fuel

HOT WATER OUTPUT		5kw or 3kw
HOT WATER TAPINGS		1" BSP
FLUE SIZE		150mm
FIREBOX SIZE	COAL	WOOD
HEIGHT	320mm	350mm
WIDTH	460mm	460mm
DEPTH	320mm	380mm



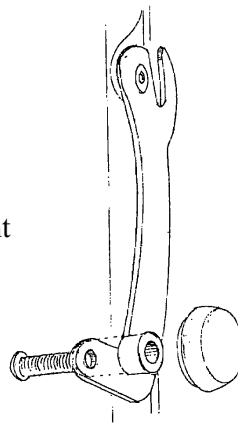
COASTER MULTI FUEL - (All clearances are with flue pipe shield & Grill on rear cast top)													
A	B	C	D	E	F	G	H	J	K	L	M	N	O
100	275	300	110	100	230	595	420	860	905	1270	1095	675	600



*Clearances are to a heat sensitive material
Clearances are in accordance with the requirements of AS/NZS 2918:2001*

4. ASSEMBLY INSTRUCTIONS

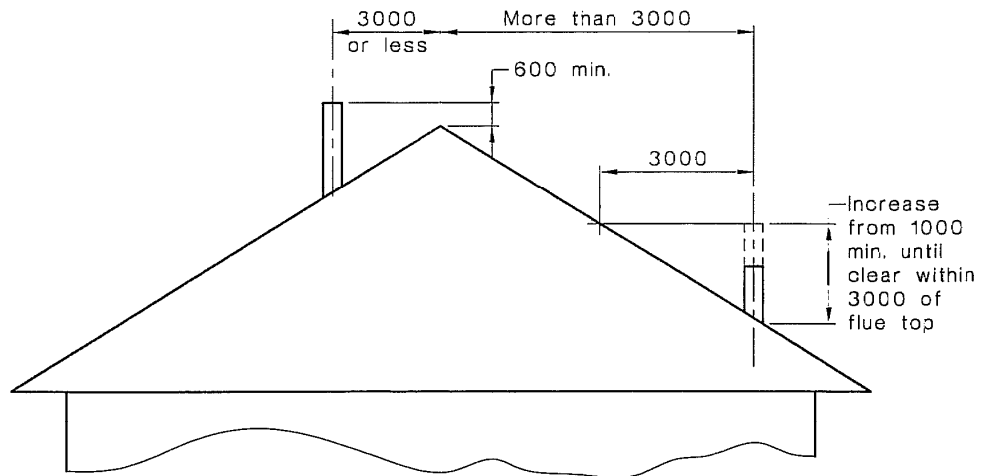
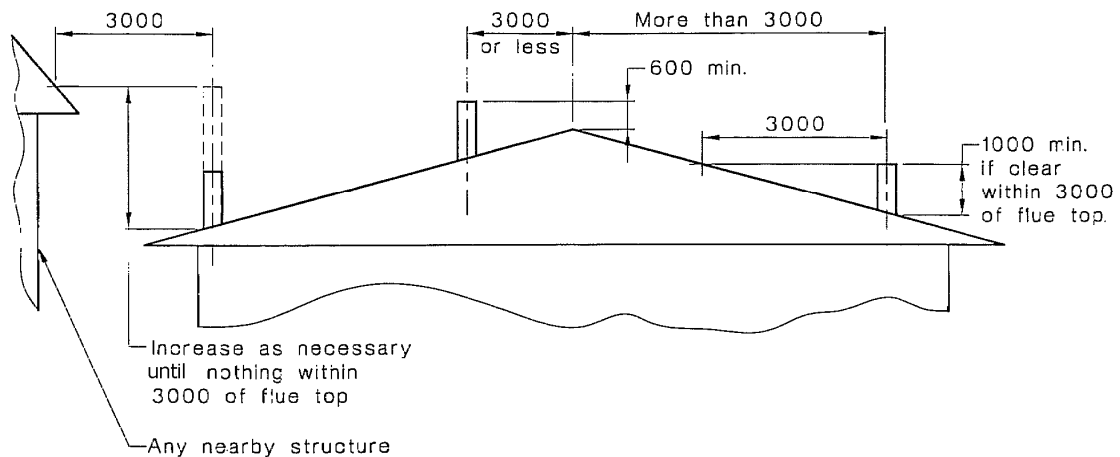
1. Remove all packaging and timber.
2. Remove loose parts from inside the firebox.
3. Position the base with angle steel down onto the floor protector, taking the necessary final clearance into consideration. The base has the flue centre indicated on the flat steel bracket. The label next to this point states the minimum clearances from the base to combustible surfaces. These measurements coincide with the figures on page 4 for the heater clearances when assembled.
4. At this point a hole in the ceiling to accommodate the flue may be cut and the liners installed.
5. Remove both front and rear top castings.
6. Place firebox on base. Secure with brackets provided.
7. Fit the wetback in accordance with accepted plumbing practice - please refer to page 8. Ensure wetback is NOT pushed down; if it touches or comes in contact with the baffle bricks this will cause wear which will void your warranty. If NO wetback is to be fitted please ensure that blanking plugs are attached to the two holes in the rear of the upper chamber.
8. Replace the rear top casting and refit the front top casting ensuring it fits neatly into the rear sealed channel.
9. Refit the stainless steel spigot in the top rear section of the firebox.
10. Assemble and fit flue as per instructions (page 6 & 7). Fit flue shield.
11. Place the cook top grill (which must be fitted) on the top rear casting of the fire and secure to the rear heatshield on the fire with the bolts provided.
12. Secure the wood-burner to the floor protector for seismic restraint. **DUE TO NZ BEING AN EARTHQUAKE PRONE COUNTRY, IT IS IMPORTANT TO ANCHOR THE FIRENZO FIRE DOWN IN CASE OF EARTH MOVEMENT.**
13. Assemble and fit the decorative rails.
14. Fit handle as per drawing:
15. Fit the control knob - place the flat on the knob to the flat on the air control shaft situated on the right hand side of the fire. Press home firmly.



5. FLUE REQUIREMENTS

Flue components should be made of 304 or 316 grade stainless steel or vitreous enamel and approved 150mm diameter as per NZ standards 2918:2001, with reference to clearances with a flue shield. A flue shield must consist of a minimum of 180 degree stainless steel, which shields the rear section of the first length of flue. A 360 degree flue shield is available which has a 180 degree mesh front for good looks. Flues should be regularly checked for leaks and cleaned on a yearly basis (see page 11).

MINIMUM HEIGHT OF FLUE SYSTEM EXIT



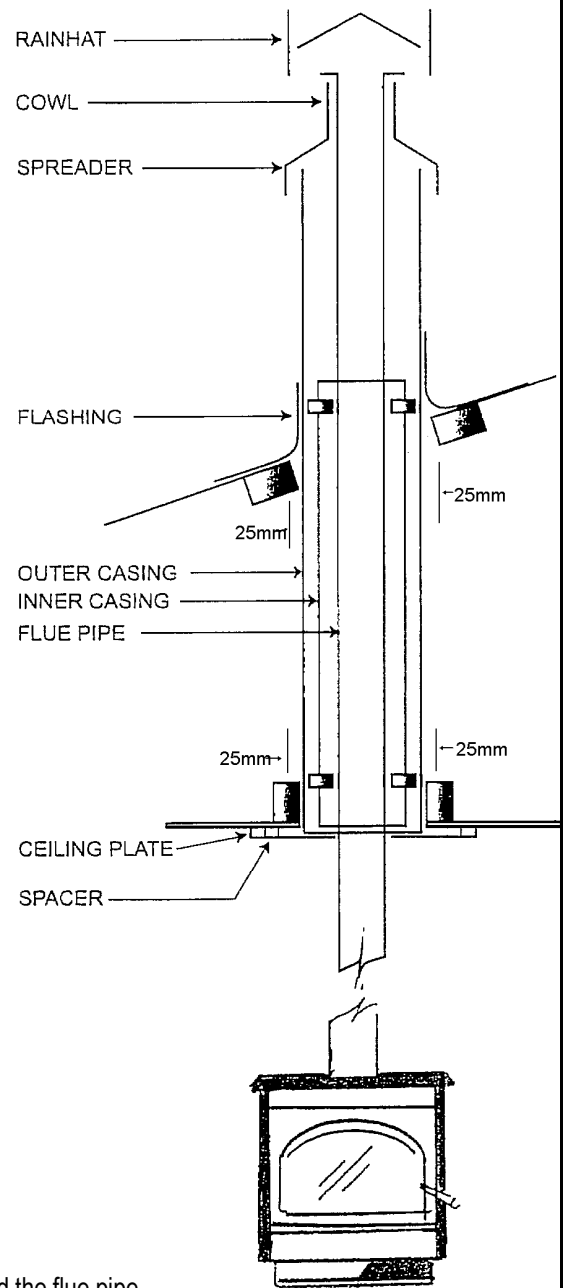
DIMENSIONS IN MILLIMETRES

NOTES:

1. The flue pipe shall extend not less than 4.6m above the top of the floor protector.
2. The flue cowl must be at least 600mm above the highest point of the roof if within 3 metres of it, or 1 metre above the roof penetration if more than 3 metres from the ridge.
3. No part of the building, or any adjacent building may be in or above a circular area of a horizontal radius of 3 metres from the flue exit.

6. FREESTANDING FLUE SYSTEM

1. Position heater on floor protector ensuring all heater clearances are correct as per clearances on page 5.
2. Once the location is confirmed, the appliance and floor protector shall be fixed to the floor itself (refer to page 6 & 7).
3. Extend a plumb line from the centre of the fire flue pipe spigot to the ceiling. Mark position on ceiling and roof.
4. Trim hole and nog as required ensuring that a 25mm safe clearance between combustible materials and flue components is maintained. Fix with non combustible spacers and screws or clouts on all four sides.
5. Cut and frame (when required) an opening in the roof, position the outer casing through the roof until it is flush with the under side of the ceiling, making sure as with the ceiling there is a 25mm safe clearance between non-combustible materials and the flue components. Fix as in step 4.
6. Fix appropriate flashing around outer casing to the roof to ensure a weatherproof seal.
7. Assemble flue pipe sections ensuring all seams are in line, the assembly is straight and crimped. Ends are pointing downwards. Fix each joint with three stainless rivets or self-tapping screws.
8. Place ceiling plate with folded edges upwards over heater spigot.
9. Position the flue pipe into the heater spigot. The flue pipe can either lowered from the top as a single unit or fed up from the room a length at a time, ensuring that all joints are fixed properly.
10. Slide the inner casing into place, between the outer casing and the flue pipe.
11. The flue pipe must extend 200mm above the outer casing.
Note: Extra lengths of flue pipe, inner and outer casing may be required to achieve the minimum clearance from the roof.
12. Slide top spreader over flue pipe down into outer and inner casing and tighten.
13. Slide cowl over flue pipe until it rests on spreader. Secure with rivets or self-tapping screws.
14. Fit rainhat. Do not fasten as it must be removable for flue pipe cleaning.
15. Fix ceiling plate to ceiling maintaining an even gap all around the flue pipe.
Note: Ensure ceiling plate is spaced off from the ceiling with ceramic spacers supplied.
16. Fit flue shield.



CAUTION: Mixing of appliance or flue system components from different sources or modifying the dimensional specifications of components may result in hazardous conditions. Where such action is considered the manufacturer should be consulted in the first instance.

WARNING: The appliance and flue system shall be installed in accordance with AS/NZS 2918:2001 and the appropriate requirements of the relevant building code or codes.

7. WETBACK

The Coaster can be fitted with either a 3kwt or 5kwt wetback to supplement the hot water system.

WARNING:

DO NOT CONNECT TO AN UNVENTED HOT WATER SYSTEM.

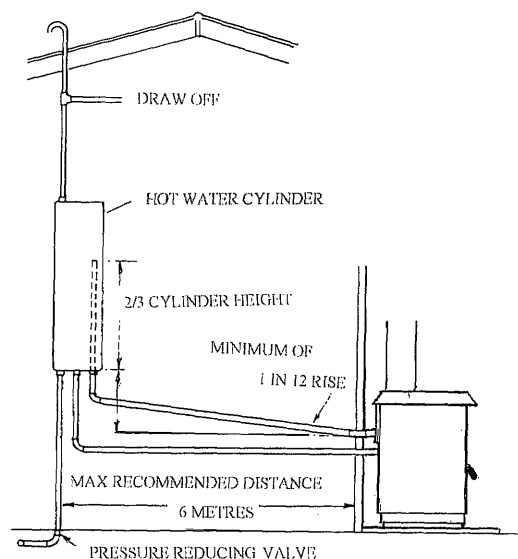
DO NOT USE THIS FIRE WITHOUT WATER RUNNING THROUGH THE WETBACK.

Care must be taken to protect the wetback coil and associated pipe work if being installed in a hard/corrosive water area. Damage caused to the Wetback coil if fitted in a hard/corrosive water area will not be covered under the manufacturer's warranty.

INSTALL IN ACCORDANCE WITH AS 3500.4.1 OR NZS 4603 AND THE APPROPRIATE REQUIREMENTS OF THE RELEVANT BUILDING CODE OR CODES.

For best performance apply the following rules:

1. Keep it simple with the shortest and straightest possible pipe run.
2. The heater should be within 6 metres of the hot water cylinder, the closer the better.
3. Keep all flow pipes rising - the cylinder should be at least 300 mm above the wet-back outlet.
4. Use only 25mm supply and return pipes.
5. Where possible the pipes should be insulated.



FIRENZO

WOODFIRES

BY

Hewitsons Limited

Manufacturers of:

Lady Kitchener

Contessa

Coaster

Bronte

Dante

Viking

Zealandia

Athena

Aqualux

Forte

Plaza

Deco

68 Austin Street

PO Box 3231

Onekawa

Napier 4142

Phone: 06 8438260

Fax: 06 8430505

Email: hothouse@firenzo.co.nz

Web: www.firenzo.co.nz