



FIRENZO
WOODFIRES

the heart of your home

Please read this booklet and keep for future reference for the safe installation and operation of your:

BRONTE TOP OUTLET AG CLEAN AIR

FREESTANDING WOODBURNER



All installations must be in accordance with these instructions. Consult with the building authority having jurisdiction to determine the need for a permit prior to commencing the installation. Failure to follow these instructions may also void your fire insurance and warranty.

INDEX

<u>Page No:</u>	<u>Item No:</u>	<u>Topic:</u>
3	1	Warnings
4	2	Installation Responsibilities
4	3	Floor Protector Requirements
5	4	Installation Clearances
6	5	Assembly Instructions
7		Fitting Seismic Restraints
8	6	Flue Installation
9		Minimum Height of Flue System Exit

Published 31/05/2010

1. WARNINGS

THIS APPLIANCE SHOULD BE MAINTAINED AND OPERATED AT ALL TIMES IN ACCORDANCE WITH THESE INSTRUCTIONS.

The Bronte Top Outlet AG is tested to N.Z. Standards AS/NZS 2918:2001.

If this heater is incorrectly installed a house fire may result. For your safety follow the installation instructions carefully.

Do NOT connect the heater to a chimney serving another appliance.

Although the exterior of the heater may appear cool, contact with the unit may cause burns, warn children and others of the possibility of injury should they touch the heater.

Do NOT dry clothing or unseasoned wood directly in contact with the heater.

Keep all household combustible materials at least 600mm away from front of the heater.

This includes clothing, furniture, wood, newspaper, plastic, matches, etc.

DO NOT USE FLAMMABLE LIQUIDS OR AEROSOLS IN THE VICINITY OF THIS APPLIANCE WHEN IT IS OPERATING.

Use caution when reloading with fuel. Do NOT attempt to load fuel into the heater when the fire inside the stove is at or near its peak.

Do NOT burn large quantities of paper or combustible material that would create an extremely hot/quick fire.

Do NOT burn highly coloured paper or brochures (junk mail).

USE ONLY DRY WOOD. AVOID BURNING WET OR GREEN WOOD.

THE USE OF SOME TYPES OF PRESERVATIVE TREATED WOOD AS A FUEL CAN BE HAZARDOUS.

TIMBER TREATED WITH COPPER CHROMIUM AND ARSENIC TYPE PRESERVATIVES WILL LEAVE TOXIC RESIDUES IN THE ASH, FIREBOX OR WITHIN THE FLUE; TIMBER OFFCUTS FROM BUILDING CONSTRUCTION WILL OFTEN CONTAIN BORIC SALTS. THE COMBUSTION OF THIS MATERIAL OVER PROLONGED PERIODS CAN PRODUCE ADVERSE EFFECTS ON REFRACTORY LINING IN SOLID FUEL APPLIANCES. EMISSION OF POISONOUS GASES CAN ALSO BE EXPERIENCED WITH THE BURNING OF TREATED WOOD.

Driftwood with salt content will also cause rapid deterioration of the heater and should not be used.

2. INSTALLATION RESPONSIBILITIES

WARNING: THE APPLIANCE AND FLUE SYSTEM SHALL BE INSTALLED IN ACCORDANCE WITH AS/NZ 2918:2001 AND THE APPROPRIATE REQUIREMENTS OF THE RELEVANT BUILDING CODE OR CODES.

ANY MODIFICATION OF THE APPLIANCE THAT HAS NOT BEEN APPROVED IN WRITING BY THE TESTING AUTHORITY IS CONSIDERED TO BE IN BREACH OF THE APPROVAL GRANTED FOR COMPLIANCE WITH AS/NZS 4013.

CAUTION: MIXING OF APPLIANCE OR FLUE-SYSTEM COMPONENTS FROM DIFFERENT SOURCES OR MODIFYING THE DIMENSIONAL SPECIFICATION OF COMPONENTS MAY RESULT IN HAZARDOUS CONDITIONS. WHERE SUCH ACTION IS CONSIDERED, THE MANUFACTURER SHOULD BE CONSULTED IN THE FIRST INSTANCE.

Strict adherence to these instructions will meet these standards. Any variation from these installation instructions or any doubt about them must be checked against the requirements of the Standards.

Please leave this manual with the owner when installation is complete.

3. FLOOR PROTECTOR REQUIREMENTS

The heater should always be installed on top of its base due to high temperatures sustained over long periods. The base must be anchored to both the floor protector and the floor for seismic restraint. Anchor points are provided in the base or on the rear legs.

PEDESTAL, DRAWER BASE & LEGS MODELS:

If the heater is to be placed on or within 500mm of a heat sensitive floor, an ***insulated floor protector*** with a minimum thickness of **40mm** is required consisting of 20mm of an approved insulation material i.e. 2 sheets of 10mm micorboard or superlux, 10mm tile backing board and 10mm tiles or similar on the top surface. All joints on the upper surface should be sealed to prevent spilt ash from contacting any heat-sensitive material.

FLOOR PROTECTOR DIMENSIONS:

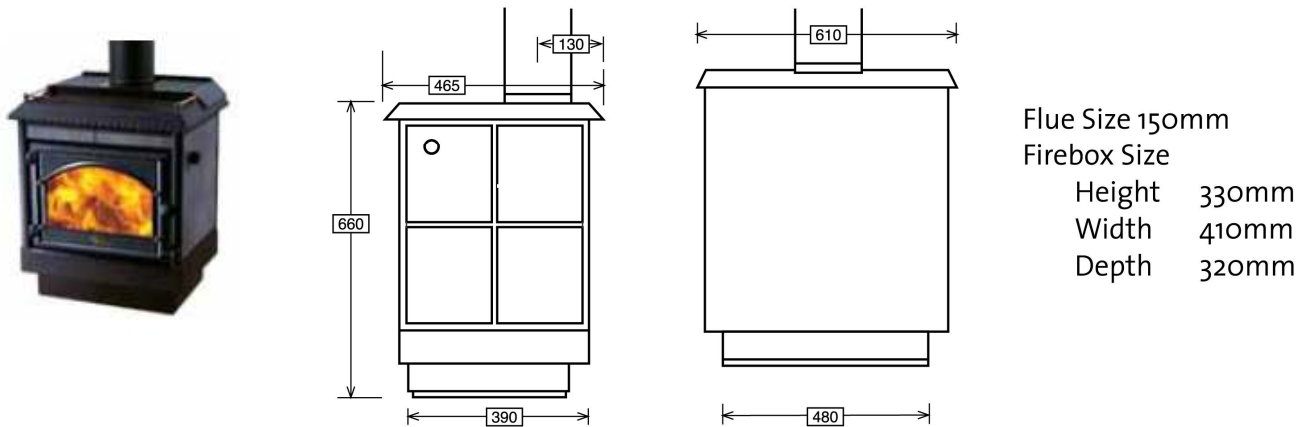
Refer to drawings under 4. Installation Clearances.

The standard front clearance from the front of the door glass can be reduced by increasing the floor protector height, as tabled below:

FLOOR PROTECTOR HEIGHT	0	12.5	25	37.5	40	50	60	70	80	90	100	113
F/P DEPTH FOR PED OR D/BASE	511	484	460	436	433	409	391	376	361	343	325	300
F/P DEPTH FOR LEG BASE	400	364	331	300	300	300	300	300	300	300	300	300

4. INSTALLATION CLEARANCES

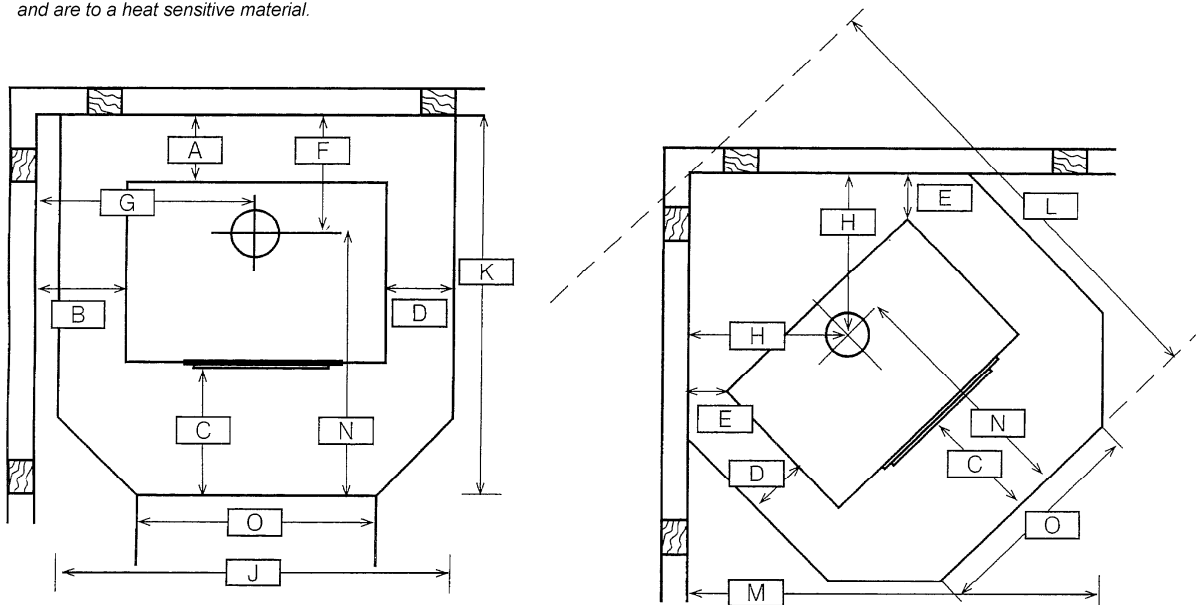
When installing the Bronte Top Outlet AG on a **leg base ADD 70mm** to vertical measurements given here:



BRONTE TOP OUTLET AG	A	B	C	D	E	F	G	H	J	K	L	M	N	O
PEDESTAL & DRAWER BASE	100	250	435	100	50	230	555	355	810	1000	1295	1170	770	630
LEG BASE	100	250	300	100	50	230	555	355	810	865	1210	1080	635	630

Cooktop grill (supplied with fire) and flue shield must be fitted

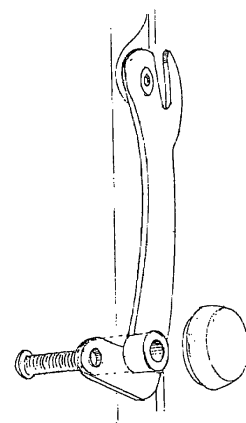
Clearances are in accordance with the requirements of AS/NZS 2918:2001 and are to a heat sensitive material.



If the hearer is to be placed on or within 500mm of a heat sensitive floor, an insulated floor protector will be required.

5. ASSEMBLY INSTRUCTIONS

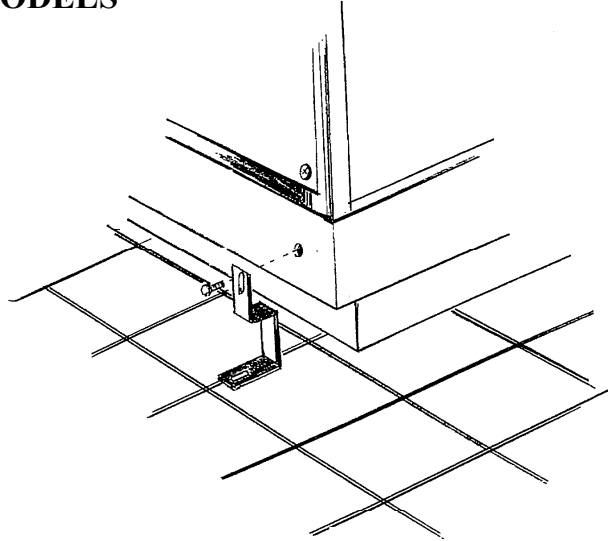
1. Remove all packaging and timber.
2. Remove loose parts from inside the firebox.
3. Position the base with angle steel down onto the floor protector, taking the necessary final clearance into consideration. The base has the flue centre indicated on the flat steel bracket. These measurements coincide with the figures on page 5 for the heater clearances when assembled.
4. At this point a hole in the ceiling to accommodate the flue may be cut and the liners installed.
5. Remove both front and rear top castings.
6. Place firebox on base. Secure with brackets provided.
7. Replace the rear top casting and refit the front top casting ensuring it fits neatly into the sealed channel.
8. Refit the stainless steel flue shim in the top rear section of the firebox.
9. Assemble and fit flue and flue shield as per instructions (page 8 & 9).
10. Place the cook top grill (which must be fitted) on the top rear casting of the fire and secure to the rear heatshield on the fire with the bolts provided.
11. A flue pipe shield **must** be fitted. The minimum requirement is for a single skin, semi-circular, stainless steel flue shield with a reflective inner surface 1200mm high. This should be installed so that the bottom edge of the flue shield is at the same level as the top of the flue spigot and spaced off the flue pipe by approximately 25mm.
12. Secure the wood-burner to the floor protector for seismic restraint (refer instructions page 7). **DUE TO NZ BEING AN EARTHQUAKE PRONE COUNTRY, IT IS IMPORTANT TO ANCHOR THE FIRENZO FIRE DOWN IN CASE OF EARTH MOVEMENT.**
13. Assemble and fit the decorative rails.
14. Fit handle as shown on diagram }
15. Fit the control knob - place the flat on the knob to the flat on the air control shaft situated on the right hand side of the fire. Press home firmly.



FITTING SEISMIC RESTRAINT BRACKETS ON BRONTE TOP OUTLET AG

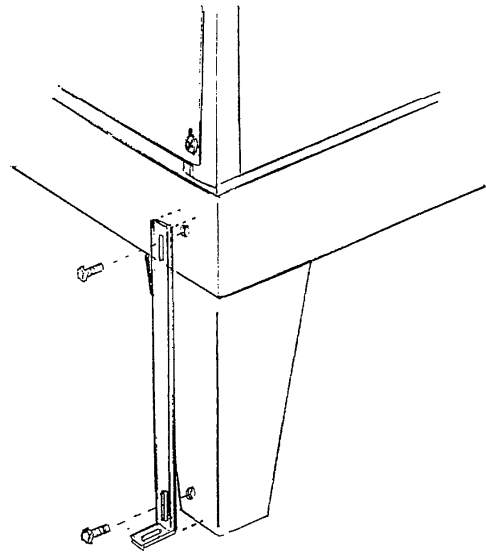
PEDESTAL OR DRAWER BASE MODELS

1. Remove bolts at rear of fire box
2. Fit Seismic Restraint brackets
3. Secure both the floor protector and the appliance to the floor.



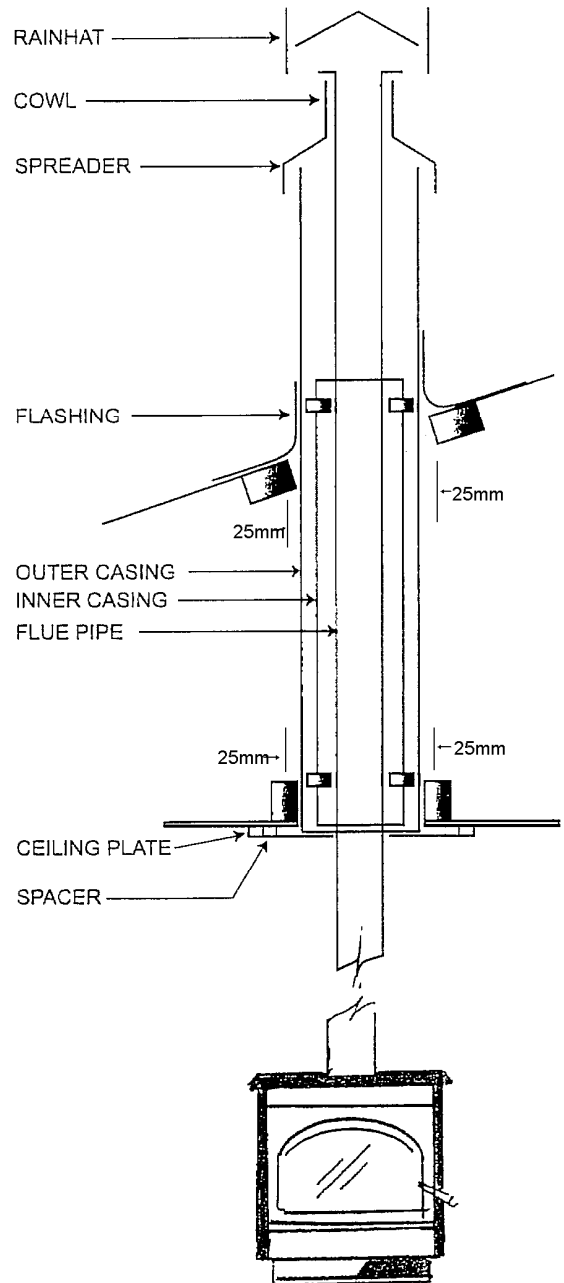
LEG MODELS

1. Place firebox on leg assembly and fit brackets.
2. Locate as per appropriate clearances
3. Secure both the floor protector and the appliance to the floor.



6. FLUE INSTALLATION

1. Position heater on floor protector ensuring all heater clearances are correct as per clearances on page 5.
2. Once the location is confirmed, the appliance and floor protector shall be fixed to the floor itself (refer to page 6 & 7).
3. Extend a plumb line from the centre of the fire flue pipe spigot to the ceiling. Mark position on ceiling and roof.
4. Trim hole and nog as required ensuring that a 25mm safe clearance between combustible materials and flue components is maintained. Fix with non combustible spacers and screws or clouts on all four sides.
5. Cut and frame (when required) an opening in the roof, position the outer casing through the roof until it is flush with the under side of the ceiling, making sure as with the ceiling there is a 25mm safe clearance between non-combustible materials and the flue components. Fix as in step 4.
6. Fix appropriate flashing around outer casing to the roof to ensure a weatherproof seal.
7. Assemble flue pipe sections ensuring all seams are in line, the assembly is straight and crimped. Ends are pointing downwards. Fix each joint with three stainless rivets or self-tapping screws.
8. Place ceiling plate with folded edges upwards over heater spigot.
9. Position the flue pipe into the heater spigot. The flue pipe can either lowered from the top as a single unit or fed up from the room a length at a time, ensuring that all joints are fixed properly.
10. Slide the inner casing into place, between the outer casing and the flue pipe.
11. The flue pipe must extend 200mm above the outer casing.
Note: Extra lengths of flue pipe, inner and outer casing may be required to achieve the minimum clearance from the roof.
12. Slide top spreader over flue pipe down into outer and inner casing and tighten.
13. Slide cowl over flue pipe until it rests on spreader. Secure with rivets or self-tapping screws.
14. Fit rainhat. Do not fasten as it must be removable for flue pipe cleaning.
15. Fix ceiling plate to ceiling maintaining an even gap all around the flue pipe.
Note: Ensure ceiling plate is spaced off from the ceiling with ceramic spacers supplied.

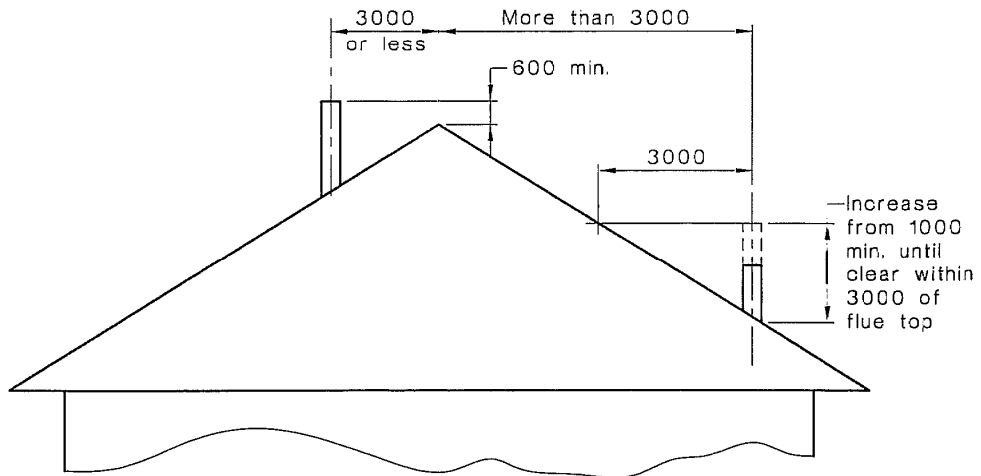
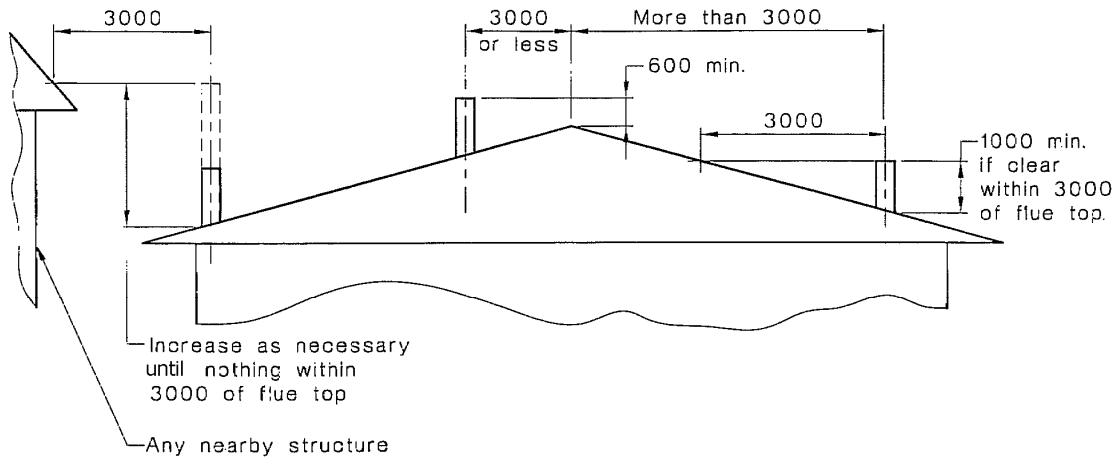


CAUTION: Mixing of appliance or flue system components from different sources or modifying the dimensional specifications of components may result in hazardous conditions. Where such action is considered the flue manufacturer should be consulted in the first instance.

WARNING: The appliance and flue system shall be installed in accordance with AS/NZS 2918:2001 and the appropriate requirements of the relevant building code or codes.

A flue pipe shield must be fitted – see item 11 on page 6.

MINIMUM HEIGHT OF FLUE SYSTEM OUTLET



DIMENSIONS IN MILLIMETRES

NOTES:

1. The flue pipe shall extend not less than 4.6m above the top of the floor protector.
2. The flue cowl must be at least 600mm above the highest point of the roof if within 3 metres of it, or 1 metre above the roof penetration if more than 3 metres from the ridge.
3. No part of the building, or any adjacent building may be in or above a circular area of a horizontal radius of 3 metres from the flue exit.



WOODFIRES

BY

Hewitsons Limited

Manufacturers of:

Lady Kitchener

Bronte

Contessa

Coaster

Bronte

Dante

Royale

Zealandia

Athena

Forte

Aqualux

68 Austin Street

PO Box 3231

Onekawa

Napier

Phone: 06 8438260

Fax: 06 8430505

Email: hothouse@firenzo.co.nz

www.firenzo.co.nz