



**FIRENZO**  
WOODFIRES

*the heart of your home*

*Please read this booklet and keep for future reference for the safe installation  
of your:*

**BRONTE**

*FREESTANDING WOODBURNER*

MODEL: **REAR OUTLET RU**

**THIS FIRE CAN ONLY BE INSTALLED ON A PROPERTY OF  
2 HECTARES OR MORE.**

All installations must be in accordance with these instructions. Consult with the building authority having jurisdiction to determine the need for a permit prior to commencing the installation. Failure to follow these instructions may also void your fire insurance and warranty.

## INDEX

Page No:	Item No:	Topic
1	1	Warnings
2	2	Installation Responsibilities
3	3	Floor Protector Requirements
3/4	4	Installation Clearances
5	5	Assembly Instructions
6	6	Wetback
7/8	7	Flue Installation
9		R/O Flue Stand (optional)

*Edited 14/3/2011*

# 1. WARNINGS

THIS APPLIANCE SHOULD BE MAINTAINED AND OPERATED AT ALL TIMES IN ACCORDANCE WITH THESE INSTRUCTIONS.

The Bronte Rear Outlet RU conforms with N.Z. Standards AS/NZS 2918:2001.

If this heater is incorrectly installed a house fire may result. For your safety follow the installation instructions carefully.

Do NOT connect the heater to a chimney serving another appliance.

Although the exterior of the heater may appear cool, contact with the unit may cause burns, warn children and others of the possibility of injury should they touch the heater.

Do NOT dry clothing or unseasoned wood directly in contact with the heater.

Keep all household combustible materials at least 600mm away from front of the heater. This includes clothing, furniture, wood, newspaper, plastic, matches, etc.

DO NOT USE FLAMMABLE LIQUIDS OR AEROSOLS IN THE VICINITY OF THIS APPLIANCE WHEN IT IS OPERATING.

Use caution when reloading with fuel. Do NOT attempt to load fuel into the heater when the fire inside the stove is at or near its peak.

Do NOT burn large quantities of paper or combustible material that would create an extremely hot/quick fire.

USE ONLY DRY WOOD. AVOID BURNING WET OR GREEN WOOD.

THE USE OF SOME TYPES OF PRESERVATIVE TREATED WOOD AS A FUEL CAN BE HAZARDOUS.

TIMBER TREATED WITH COPPER CHROMIUM AND ARSENIC TYPE PRESERVATIVES WILL LEAVE TOXIC RESIDUES IN THE ASH, FIREBOX OR WITHIN THE FLUE; TIMBER OFFCUTS FROM BUILDING CONSTRUCTION WILL OFTEN CONTAIN BORIC SALTS. THE COMBUSTION OF THIS MATERIAL OVER PROLONGED PERIODS CAN PRODUCE ADVERSE EFFECTS ON REFRACTORY LINING IN SOLID FUEL APPLIANCES. EMISSION OF POISONOUS GASES CAN ALSO BE EXPERIENCED WITH THE BURNING OF TREATED WOOD.

Driftwood with salt content will also cause rapid deterioration of the heater and should not be used.

## 2. INSTALLATION RESPONSIBILITIES

**WARNING:** THE APPLIANCE AND FLUE SYSTEM SHALL BE INSTALLED IN ACCORDANCE WITH AS/NZ 2918 AND THE APPROPRIATE REQUIREMENTS OF THE RELEVANT BUILDING CODE OR CODES.

ANY MODIFICATION OF THE APPLIANCE THAT HAS NOT BEEN APPROVED IN WRITING BY THE TESTING AUTHORITY IS CONSIDERED TO BE IN BREACH OF THE APPROVAL GRANTED FOR COMPLIANCE WITH AS/NZS4013.

**CAUTION:** MIXING OF APPLIANCE OR FLUE-SYSTEM COMPONENTS FROM DIFFERENT SOURCES OR MODIFYING THE DIMENSIONAL SPECIFICATION OF COMPONENTS MAY RESULT IN HAZARDOUS CONDITIONS. WHERE SUCH ACTION IS CONSIDERED, THE MANUFACTURER SHOULD BE CONSULTED IN THE FIRST INSTANCE.

Strict adherence to these instructions will meet these standards. Any variation from these installation instructions or any doubt about them must be checked against the requirements of the Standards.

**WARNING:**

Care must be taken to protect the wetback coil and associated pipe work if being installed in a hard/corrosive water area. Damage caused to the Wetback coil if fitted in a hard/corrosive water area will not be covered under the manufacturer's warranty.

Please leave this manual with the owner when installation is complete.

# 3. FLOOR PROTECTOR REQUIREMENTS

The heater should always be installed on top of its base due to high temperatures sustained over long periods. The base must be anchored to both the floor protector and the floor for seismic restraint. Anchor points are provided in the base or on the rear legs.

### PEDESTAL MODELS:

An **insulated** floor protector is required consisting of a minimum thickness of **40mm** of an approved **insulation** material i.e. 2 sheets 10mm micorboard or superlux, 10mm tile backing board and 10mm tiles or similar on the top surface. All joints on the upper surface should be sealed to prevent spilt ash from contacting any heat sensitive material.

### LEG BASE MODEL:

Either an insulated floor protector OR a floor protector consisting of an upper surface, including grouting, of a durable, non-combustible material.

### FLOOR PROTECTOR DIMENSIONS:

Refer to drawings under 4. Installation Clearances.

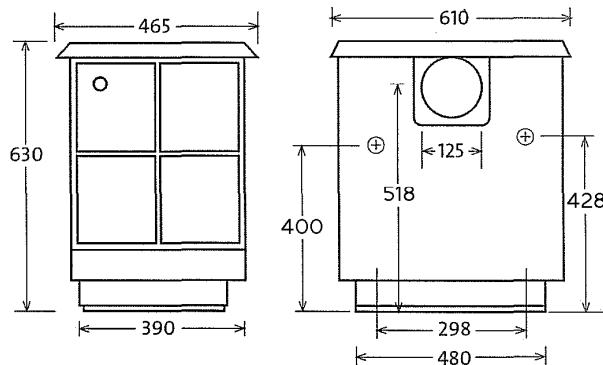
For the Bronte on a pedestal base the standard front clearance from the front of the door glass can be reduced by increasing the floor protector height:

Floor Protector Height	40	50	60	70	80	90	100	110
Measurement from Door Glass	470	450	420	400	375	350	330	300

# 4. INSTALLATION CLEARANCES

When installing the Bronte RU Rear-Outlet on a **leg base ADD 70mm to vertical** measurements shown:

<b>HOT WATER OUTPUT</b>		3kw
<b>HOT WATER TAPINGS</b>		1" BSP
<b>FLUE SIZE</b>		150mm
<b>FIREBOX SIZE</b>	<b>HEIGHT</b>	330mm
	<b>WIDTH</b>	410mm
<b>DEPTH WITH WETBACK</b>		300mm



## INSTALLATION INTO AN EXISTING CHIMNEY CAVITY:

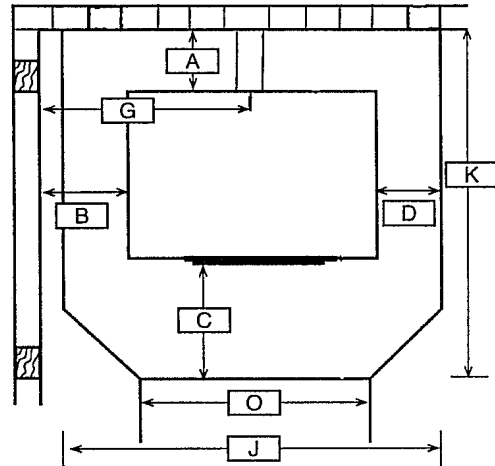
All measurements are in millimetres.

BRONTE REAR OUTLET	A	B	C	D	G	J	K	O
PEDESTAL BASE	100*	245	470	100	550	810	1035	630
LEG BASE	100*	245	405	100	550	810	970	630

\*To non-combustible surface

Clearances are in accordance with the requirements of AS/NZS 2918:2001

Diagram shown is for installation into an existing chimney cavity

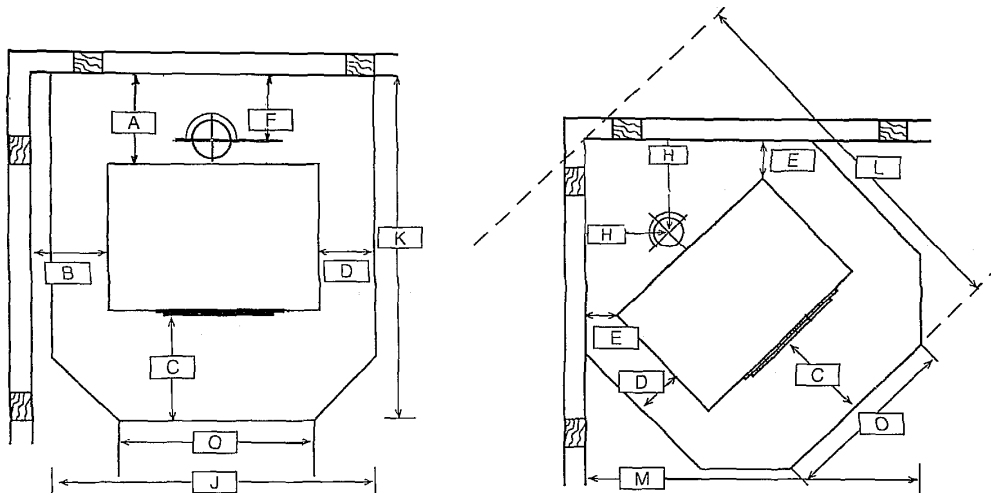


## INSTALLATION WITH EXPOSED FLUE:

Flue shield **MUST** be fitted.

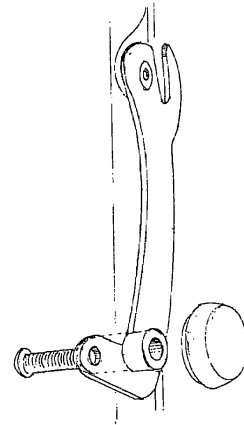
BRONTE REAR OUTLET	A	B	C	D	E	F	H	K	L	M
PEDESTAL BASE	360*	245	470	100	110	240	240	1295	1400	1210
LEG BASE	360*	245	405	100	110	240	240	1230	1335	1165

\*To combustible surface



## 5. ASSEMBLY INSTRUCTIONS

1. Remove all packaging and timber.
2. Remove parts from inside the firebox.
3. Remove both front and rear top castings.
4. Place firebox on base.
5. Fit the wetback in accordance with accepted plumbing practice - please refer to page 6. If NO wetback is to be fitted please ensure that blanking plugs are attached to the two holes in the rear of the fire.
6. Assemble and fit flue as per instructions (page 8)
7. Replace the rear top casting and refit the front top casting ensuring it fits neatly into the rear sealed channel.
8. Secure the wood-burner to the floor protector for seismic restraint. DUE TO NZ BEING AN EARTHQUAKE PRONE COUNTRY, IT IS IMPORTANT TO ANCHOR THE BRONTE DOWN IN CASE OF EARTH MOVEMENT.
9. Assemble and fit the gold/chrome/black plated rails.
10. Fit door knob.
11. Fit the control knob - place the flat on the knob to the flat on the air control shaft situated on the right hand side of the fire. Press home firmly.



## 6. WETBACK

The Bronte Rear Outlet RU can be fitted with a wetback to supplement the hot water system.

***WARNING:***

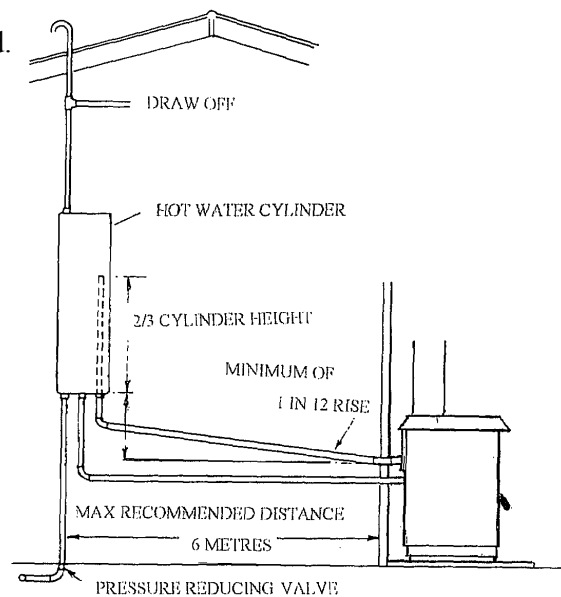
**DO NOT CONNECT TO AN UNVENTED HOT WATER SYSTEM.**

**DO NOT USE THIS FIRE WITHOUT WATER RUNNING THROUGH THE WETBACK.**

INSTALL IN ACCORDANCE WITH AS 3500.4.1 OR NZS 4603 AND THE APPROPRIATE REQUIREMENTS OF THE RELEVANT BUILDING CODE OR CODES.

For best performance apply the following rules:

1. Keep it simple with the shortest and straightest possible pipe run.
2. The heater should be within 6 metres of the hot water cylinder, the closer the better.
3. Keep all flow pipes rising - the cylinder should be at least 300 mm above the water-booster outlet.
4. Use only 25mm supply and return pipes.
5. Where possible the pipes should be insulated.



***WARNING:***

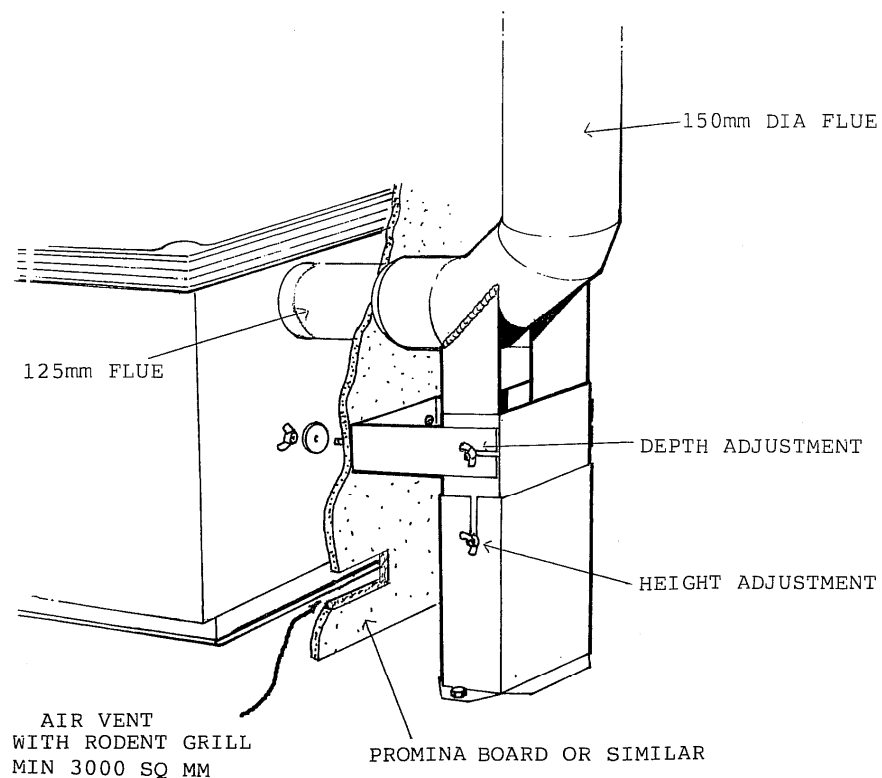
Care must be taken to protect the wetback coil and associated pipework if being installed in a hard/corrosive water area. Damage caused to the Wetback coil if fitted in a hard/corrosive water area will not be covered under the manufacturer's warranty.

# REAR OUTLET FLUE STAND

## *OPTIONAL EXTRA*

### INSTALLATION INSTRUCTIONS

1. Check chimney for soundness and thoroughly clean.
2. Position flue stand within chimney. Align vertical flue with chimney cavity and fix down.
3. Adjust height setting to correspond with flue spigot on fire. Lock wing nuts.
4. Cut Promina board to suit opening of fireplace. Cut hole for flue in appropriate position. Locate and drill two holes for fixing depth adjustment bolts.
5. Set depth adjustment at correct measurement and lock. Fasten Promina board to bolts and tighten.
6. Slide fire into position and fix for seismic restraint.



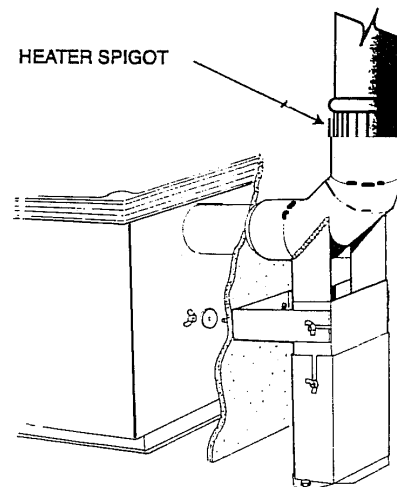
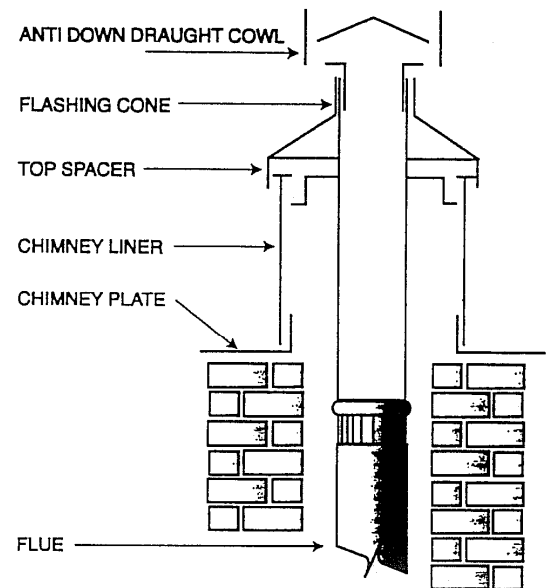
# 7. REAR OUTLET FLUE SYSTEM INSTALLATION INSTRUCTIONS

AS PER AS/NZ2918:2001

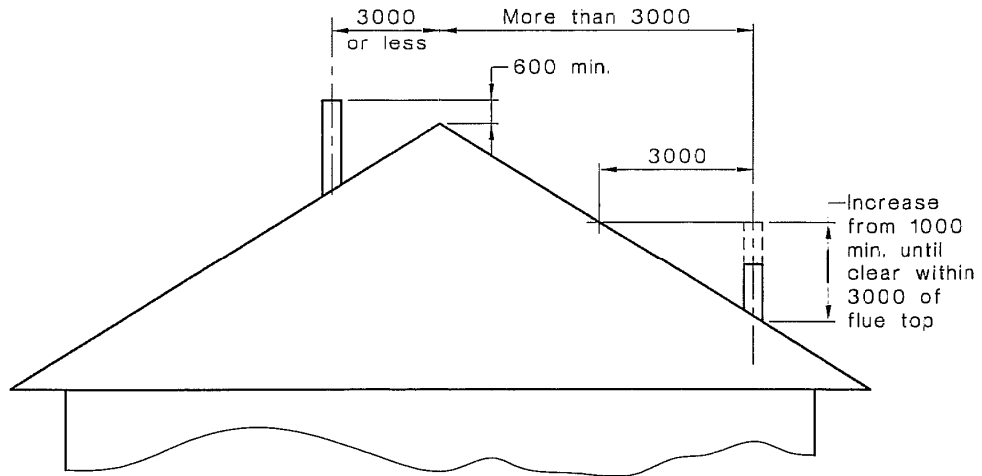
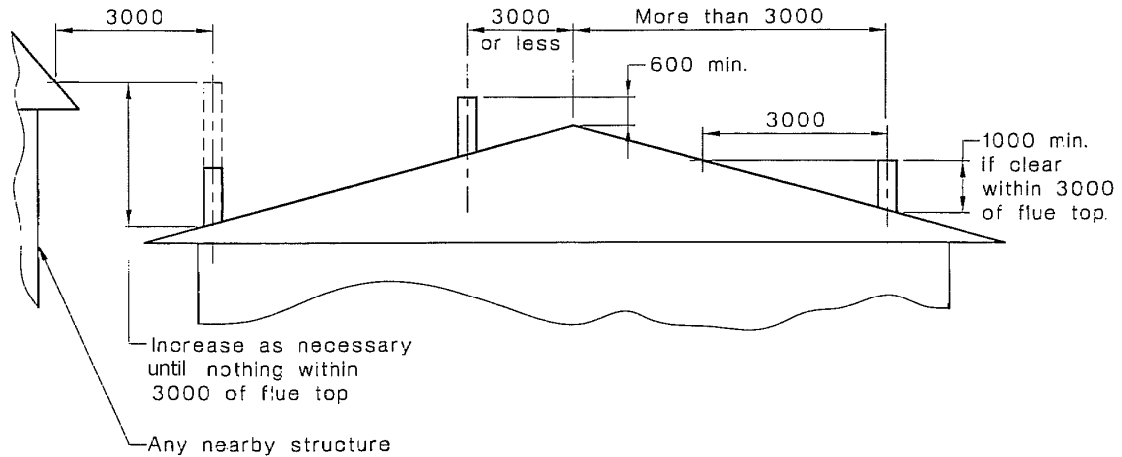
**CAUTION:** Mixing of appliance or flue system components from different sources or modifying the dimensional specifications of components may result in hazardous conditions. Where such action is considered the manufacturer should be consulted in the first instance.

**WARNING:** The appliance and flue system shall be installed in accordance with AS/NZS2918:2001 and the appropriate requirements of the relevant building code or codes.

1. Position the rear outlet flue stand in fireplace. Adjust height to align with flue spigot on fire. Check appropriate dimensions (see page 4). Extend plumb line from top of chimney, ensuring spigot is in line with top of chimney. If not, flue pipe offsets will be required.
2. Assemble flue pipes ensuring all seams are in line and assembly is straight and tight with crimped ends pointing downwards. Secure flue pipes with at least 3 pop rivets or self tapping screws.
3. Fasten chimney plate supplied onto the chimney top. The chimney plate must be weather sealed with silicone or mortar.
4. Install chimney liner on top of chimney plate.
5. Ensure flue pipe is extended over the chimney liner by 180mm. Secure top spacer bracket to the flue pipe and ensure slots fit snugly inside the chimney liner.
6. Slide flashing cone over top of flue, until it rests firmly over top spacer. Secure with pop rivets or self tapping screws.
7. Fit anti-down draught cowl. Do NOT secure as it must be removed for cleaning.



## MINIMUM HEIGHT OF FLUE SYSTEM OUTLET



DIMENSIONS IN MILLIMETRES

### NOTES:

1. The flue pipe shall extend not less than 4.6m above the top of the floor protector.
2. The flue cowl must be at least 600mm above the highest point of the roof if within 3 metres of it, or 1 metre above the roof penetration if more than 3 metres from the ridge.
3. No part of the building, or any adjacent building may be in or above a circular area of a horizontal radius of 3 metres from the flue exit.

# FIRENZO

## WOODFIRES

by  
HEWITSONS LIMITED

*Manufacturers of:*

**Lady Kitchener**

**Contessa**

**Bronte**

**Dante**

**Viking**

**Royale**

**Zealandia**

**Coaster**

**Aqualux**

**Athena**

**Forte**

**Plaza**

**Deco**

68 Austin Street  
PO Box 3231  
Onekawa  
Napier

Phone: 06 8438260

Fax: 06 8430505

Website: [www.firenzo.co.nz](http://www.firenzo.co.nz)

Email: [hothouse@firenzo.co.nz](mailto:hothouse@firenzo.co.nz)