



FIRENZO
WOODFIRES

Please read this booklet and keep for future reference for the safe installation
of your:

BRONTE REAR OUTLET AG

FREESTANDING WOODBURNER

INSTALLATION BOOK



Pictured on Leg Base

All installations must be in accordance with these instructions. Consult with the building authority having jurisdiction to obtain a permit prior to commencing the installation. Failure to follow these instructions may also void your fire insurance and warranty.

INDEX

Page No:	Item No:	Topic
1	1	Warnings
2	2	Installation Responsibilities
3	3	Floor Protector Requirements
3/4	4	Installation Clearances
5	5	Assembly Instructions
6	6	Wetback
7		R/O Flue Stand (optional)
8/9	7	Flue Installation

Edited 4/8/2010

1. WARNINGS

THIS APPLIANCE SHOULD BE MAINTAINED AND OPERATED AT ALL TIMES IN ACCORDANCE WITH THESE INSTRUCTIONS.

The Bronte Rear Outlet AG is tested to N.Z. Standards AS/NZS 2918:2001.

If this heater is incorrectly installed a house fire may result. For your safety follow the installation instructions carefully.

Do NOT connect the heater to a chimney serving another appliance.

Although the exterior of the heater may appear cool, contact with the unit may cause burns, warn children and others of the possibility of injury should they touch the heater.

Do NOT dry clothing or unseasoned wood directly in contact with the heater.

Keep all household combustible materials at least 600mm away from front of the heater. This includes clothing, furniture, wood, newspaper, plastic, matches, etc.

DO NOT USE FLAMMABLE LIQUIDS OR AEROSOLS IN THE VICINITY OF THIS APPLIANCE WHEN IT IS OPERATING.

Use caution when reloading with fuel. Do NOT attempt to load fuel into the heater when the fire inside the stove is at or near its peak.

Do NOT burn large quantities of paper or combustible material that would create an extremely hot/quick fire.

USE ONLY DRY WOOD. AVOID BURNING WET OR GREEN WOOD.

THE USE OF SOME TYPES OF PRESERVATIVE TREATED WOOD AS A FUEL CAN BE HAZARDOUS.

TIMBER TREATED WITH COPPER CHROMIUM AND ARSENIC TYPE PRESERVATIVES WILL LEAVE TOXIC RESIDUES IN THE ASH, FIREBOX OR WITHIN THE FLUE, TIMBER OFFCUTS FROM BUILDING CONSTRUCTION WILL OFTEN CONTAIN BORIC SALTS. THE COMBUSTION OF THIS MATERIAL OVER PROLONGED PERIODS CAN PRODUCE ADVERSE EFFECTS ON REFACTORY LINING IN SOLID FUEL APPLIANCES. EMISSION OF POISONOUS GASES CAN ALSO BE EXPERIENCED WITH THE BURNING OF TREATED WOOD.

Driftwood with salt content will also cause rapid deterioration of the heater and should not be used.

2. INSTALLATION RESPONSIBILITIES

WARNING: THE APPLIANCE AND FLUE SYSTEM SHALL BE INSTALLED IN ACCORDANCE WITH AS/NZ 2918 AND THE APPROPRIATE REQUIREMENTS OF THE RELEVANT BUILDING CODE OR CODES.

ANY MODIFICATION OF THE APPLIANCE THAT HAS NOT BEEN APPROVED IN WRITING BY THE TESTING AUTHORITY IS CONSIDERED TO BE IN BREACH OF THE APPROVAL GRANTED FOR COMPLIANCE WITH AS/NZS4013.

CAUTION: MIXING OF APPLIANCE OR FLUE-SYSTEM COMPONENTS FROM DIFFERENT SOURCES OR MODIFYING THE DIMENSIONAL SPECIFICATION OF COMPONENTS MAY RESULT IN HAZARDOUS CONDITIONS. WHERE SUCH ACTION IS CONSIDERED, THE MANUFACTURER SHOULD BE CONSULTED IN THE FIRST INSTANCE.

Strict adherence to these instructions will meet these standards.

Any variation from these installation instructions or any doubt about them must be checked against the requirements of the Standards.

WARNING:

Care must be taken to protect the wetback coil and associated pipework if being installed in a hard/corrosive water area. Damage caused to the Wetback coil if fitted in a hard/corrosive water area will not be covered under the manufacturer's warranty.

Please leave this manual with the owner when installation is complete.

3. FLOOR PROTECTOR REQUIREMENTS

The heater should always be installed on top of its base due to high temperatures sustained over long periods. The base must be anchored to both the floor protector and the floor for seismic restraint. Anchor points are provided in the base or on the rear legs.

ALL MODELS:

An **insulated** floor protector is required consisting of a minimum thickness of 40mm of an approved insulation material i.e. 2 sheets 10mm micorboard or superlux, 10mm tile backing board and 10mm tiles or similar on the top surface.

All joints on the upper surface should be sealed to prevent spilt ash from contacting any heat sensitive material.

FLOOR PROTECTOR DIMENSIONS:

Refer to drawings under 4. Installation Clearances.

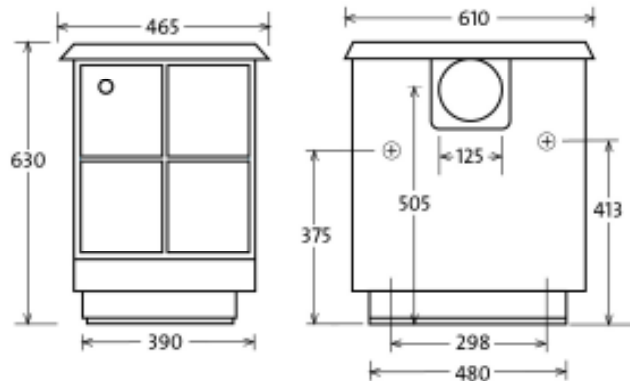
The standard front clearance from the front of the door glass can be reduced by increasing the insulated floor protector height:

Height	40	50	60	70	80	90	100	110
Depth	470	450	420	400	375	350	330	300

4. INSTALLATION CLEARANCES

When installing the Bronte Rear-Outlet AG on a **leg base** ADD 95mm to vertical measurements.

Bronte Rear Outlet AG	
HOT WATER OUTPUT	3kw
HOT WATER TAPINGS	1" BSP
FLUE SIZE	150mm
FIREBOX SIZE	HEIGHT 330mm
	WIDTH 410mm
DEPTH WITH WETBACK	300mm



INSTALLATION INTO AN EXISTING CHIMNEY CAVITY:

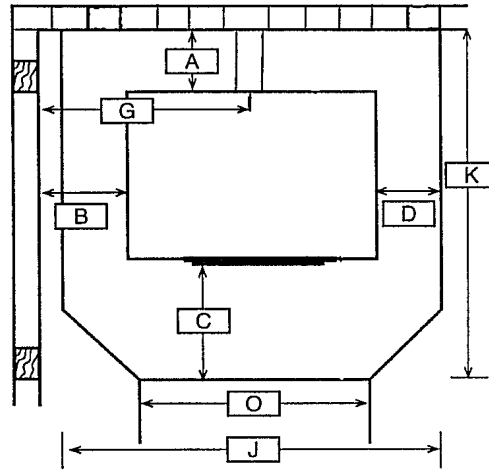
All measurements are in millimetres.

BRONTE REAR OUTLET	A	B	C	D	G	J	K	O
75MM PEDESTAL BASE	100*	245	470	100	550	810	1035	630
LEG BASE	100*	245	405	100	550	810	970	630

*To non-combustible surface

Clearances are in accordance with the requirements of AS/NZS 2918:2001

Diagram shown is for installation into an existing chimney cavity

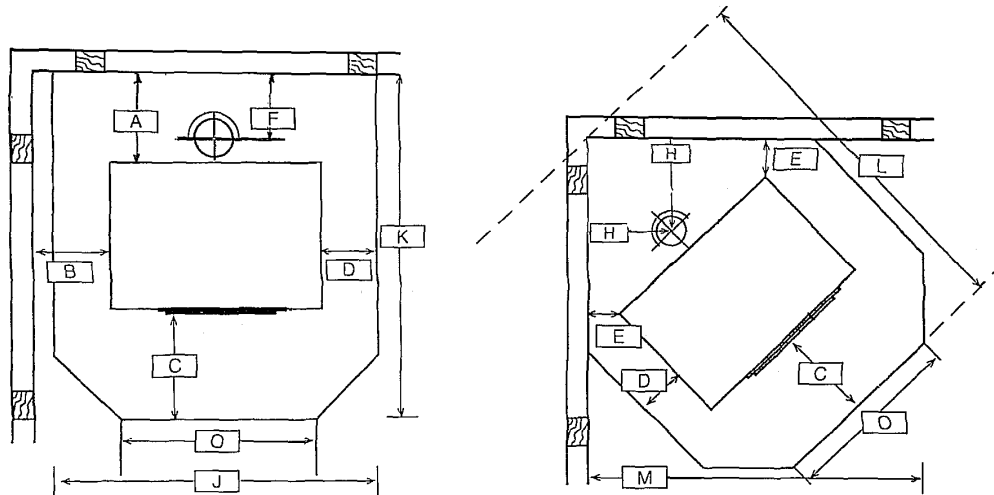


INSTALLATION WITH EXPOSED FLUE:

Flue shield MUST be fitted.

BRONTE REAR OUTLET	A	B	C	D	E	F	H	K	L	M
75MM PEDESTAL BASE	360*	245	470	100	110	240	240	1295	1400	1210
LEG BASE.....	360*	245	405	100	110	240	240	1230	1335	1165

*To combustible surface



5. ASSEMBLY INSTRUCTIONS

1. Remove all packaging and timber.
2. Remove parts from inside the firebox.
3. Remove both front and rear top castings.
4. Place firebox on base, taking into account clearances on page 4.
5. Connect the wetback in accordance with accepted plumbing practice - please refer to page 6.
6. Assemble and fit flue as per instructions (page 8)
7. Replace the rear top casting and refit the front top casting ensuring it fits neatly into the rear sealed channel.
8. Secure the wood-burner to the floor protector for seismic restraint. **DUE TO NZ BEING AN EARTHQUAKE PRONE COUNTRY, IT IS IMPORTANT TO ANCHOR THE BRONTE DOWN IN CASE OF EARTH MOVEMENT.**
9. Assemble and fit the gold/chrome/black plated rails.
10. Fit door knob.. (see drawing)
11. Fit the control knob - place the flat on the knob to the flat on the air control shaft situated on the right hand side of the fire. Press home firmly.
12. Fill in the installation date on the swing label attached to rear of firebox.



6. WETBACK

The Bronte Rear Outlet AG is fitted with a wetback to supplement the hot water system.

WARNING:

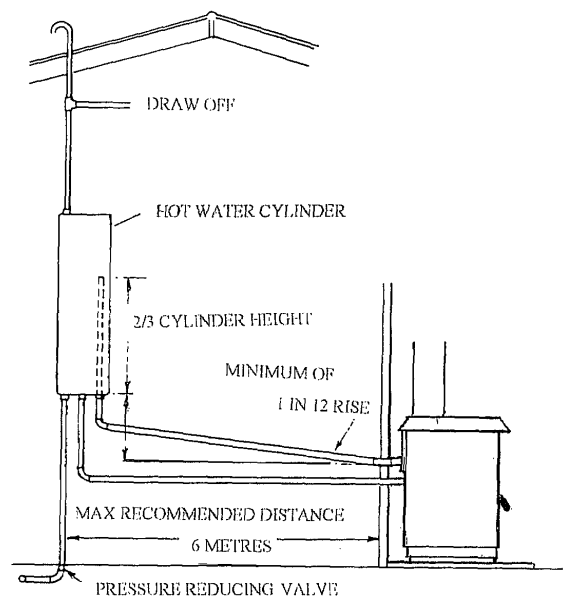
DO NOT CONNECT TO AN UNVENTED HOT WATER SYSTEM.

DO NOT USE THIS FIRE WITHOUT WATER RUNNING THROUGH THE WETBACK.

INSTALL IN ACCORDANCE WITH AS 3500.4.1 OR NZS 4603 AND THE APPROPRIATE REQUIREMENTS OF THE RELEVANT BUILDING CODE OR CODES.

For best performance apply the following rules:

1. Keep it simple with the shortest and straightest possible pipe run.
2. The heater should be within 6 metres of the hot water cylinder, the closer the better.
3. Keep all flow pipes rising - the cylinder should be at least 300 mm above the water-booster outlet.
4. Use only 25mm supply and return pipes.
5. Where possible the pipes should be insulated.



WARNING:

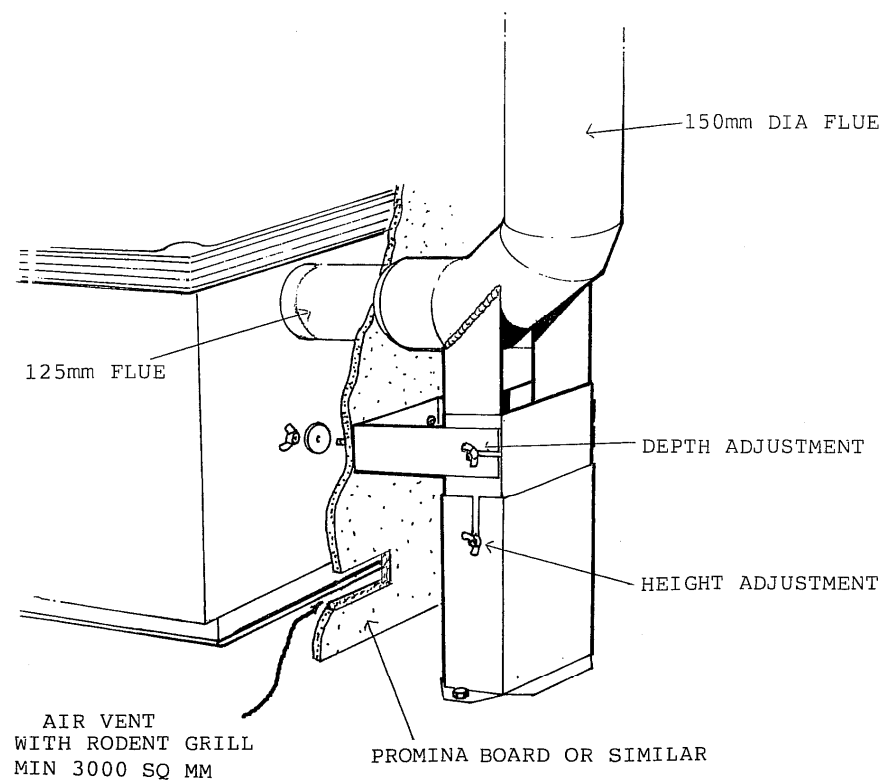
Care must be taken to protect the wetback coil and associated pipework if being installed in a hard/corrosive water area. Damage caused to the Wetback coil if fitted in a hard/corrosive water area will not be covered under the manufacturer's warranty.

REAR OUTLET FLUE STAND

OPTIONAL EXTRA

INSTALLATION INSTRUCTIONS

1. Check chimney for soundness and thoroughly clean.
2. Position flue stand within chimney. Align vertical flue with chimney cavity and fix down.
3. Adjust height setting to correspond with flue spigot on fire. Lock wing nuts.
4. Cut Promina board to suit opening of fireplace. Cut hole for flue in appropriate position. Locate and drill two holes for fixing depth adjustment bolts.
5. Set depth adjustment at correct measurement and lock. Fasten Promina board to bolts and tighten.
6. Slide fire into position and fix for seismic restraint.



7. REAR OUTLET FLUE SYSTEM INSTALLATION INSTRUCTIONS

AS PER AS/NZ2918:2001

These instructions should be read in conjunction with the flue manufacturers instructions.

CAUTION: Mixing of appliance or flue system components from different sources or modifying the dimensional specifications of components may result in hazardous conditions. Where such action is considered the manufacturer should be consulted in the first instance.

WARNING: The appliance and flue system shall be installed in accordance with AS:NZS2918:2001 and the appropriate requirements of the relevant building code or codes.

1. Position the rear outlet flue stand in fireplace. Adjust height to align with flue spigot on fire. Check appropriate dimensions (see page 4). Extend plumb line from top of chimney, ensuring spigot is in line with top of chimney. If not, flue pipe offsets will be required.

2. Assemble flue pipes ensuring all seams are in line and assembly is straight and tight with crimped ends pointing downwards. Secure flue pipes with at least 3 pop rivets or self tapping screws.

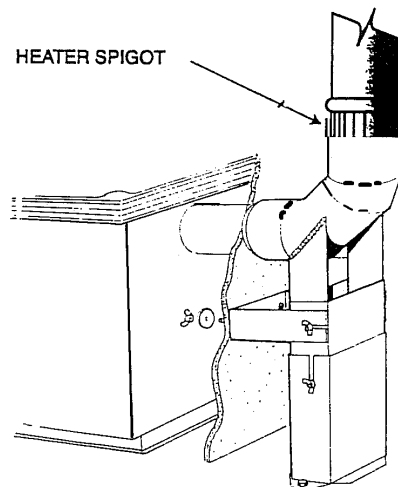
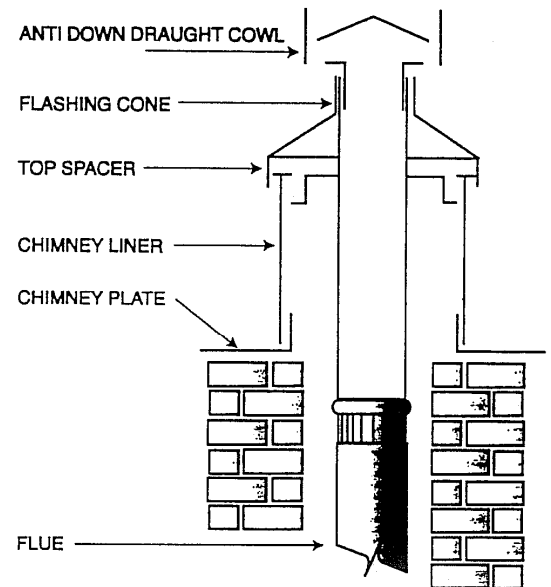
3. Fasten chimney plate supplied onto the chimney top. The chimney plate must be weather sealed with silicone or mortar.

4. Install chimney liner on top of chimney plate.

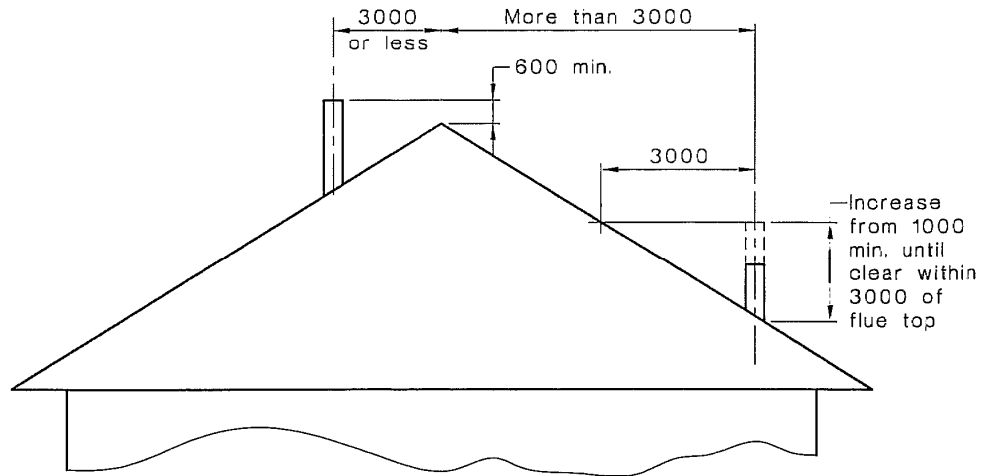
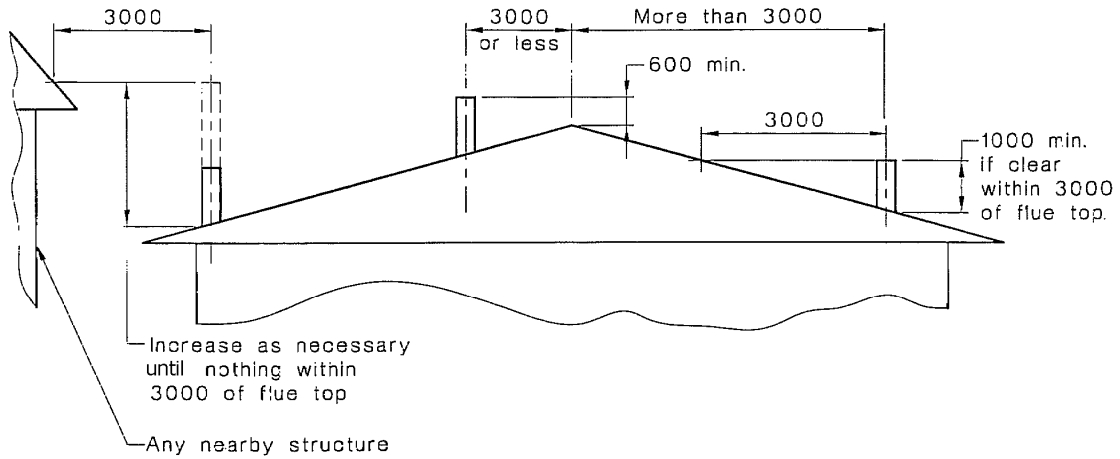
5. Ensure flue pipe is extended over the chimney liner by 180mm. Secure top spacer bracket to the flue pipe and ensure slots fit snugly inside the chimney liner.

6. Slide flashing cone over top of flue, until it rests firmly over top spacer. Secure with pop rivets or self tapping screws.

7. Fit anti-down draught cowl. Do NOT secure as it must be removed for cleaning.



MINIMUM HEIGHT OF FLUE SYSTEM OUTLET



DIMENSIONS IN MILLIMETRES

NOTES:

1. The flue pipe shall extend not less than 4.6m above the top of the floor protector.
2. The flue cowl must be at least 600mm above the highest point of the roof if within 3 metres of it, or 1 metre above the roof penetration if more than 3 metres from the ridge.
3. No part of the building, or any adjacent building may be in or above a circular area of a horizontal radius of 3 metres from the flue exit.

FIRENZO

WOODFIRES

by

HEWITSONS LIMITED

Manufacturers of:

Lady Kitchener

Contessa

Bronte

Dante

Coaster

Royale

Zealandia

Aqualux

Athena

Forte

Plaza

Deco

68 Austin Street

Onekawa

PO Box 3231

Napier 4142

Phone: 06 8438260

Fax: 06 8430505

Website: www.firenzo.co.nz

Email: hothouse@firenzo.co.nz