



FIRENZO
WOODFIRES

Please read this booklet and keep for future reference for the safe
installation of your:

ROYALE AG

AG = Clean Air

Or

ROYALE RU

FREESTANDING WOODBURNER

All installations must be in accordance with these instructions. Consult with the building authority having jurisdiction to determine the need for a permit prior to commencing the installation. Failure to follow these instructions may also void your fire insurance and warranty.

INDEX

<u>Page No:</u>	<u>Item No:</u>	<u>Topic:</u>
3	1	Warnings
4	2	Installation Responsibilities
4	3	Floor Protector Requirements
5	4	Installation Clearances
6	5	Assembly Instructions
7	6	Flue Installation
8		Minimum Height of Flue System Exit

The Royale AG meets ECan and MFE clean air standards.

The Royale RU is for non clean air areas over 2 hectares of land.

Edited 24/2/2009

1. WARNINGS

THIS APPLIANCE SHOULD BE MAINTAINED AND OPERATED AT ALL TIMES IN ACCORDANCE WITH THESE INSTRUCTIONS.

The **Royale AG and RU** are tested to N.Z. Standards AS/NZS 2918:2001.

If this heater is incorrectly installed a house fire may result. For your safety follow the installation instructions carefully.

Do NOT connect the heater to a chimney serving another appliance.

Although the exterior of the heater may appear cool, contact with the unit may cause burns, warn children and others of the possibility of injury should they touch the heater.

Do NOT dry clothing or unseasoned wood directly in contact with the heater.

Keep all household combustible materials at least 600mm away from front of the heater. This includes clothing, furniture, wood, newspaper, plastic, matches, etc.

DO NOT USE FLAMMABLE LIQUIDS OR AEROSOLS IN THE VICINITY OF THIS APPLIANCE WHEN IT IS OPERATING.

Use caution when reloading with fuel. Do NOT attempt to load fuel into the heater when the fire inside the stove is at or near its peak.

Do NOT burn large quantities of paper or combustible material that would create an extremely hot/quick fire.

Do NOT burn highly coloured paper or brochures (junk mail).

USE ONLY DRY WOOD. AVOID BURNING WET OR GREEN WOOD.

THE USE OF SOME TYPES OF PRESERVATIVE TREATED WOOD AS A FUEL CAN BE HAZARDOUS. TIMBER TREATED WITH COPPER CHROMIUM AND ARSENIC TYPE PRESERVATIVES WILL LEAVE TOXIC RESIDUES IN THE ASH, FIREBOX OR WITHIN THE FLUE, TIMBER OFFCUTS FROM BUILDING CONSTRUCTION WILL OFTEN CONTAIN BORIC SALTS. THE COMBUSTION OF THIS MATERIAL OVER PROLONGED PERIODS CAN PRODUCE ADVERSE EFFECTS ON REFRACTORY LINING IN SOLID FUEL APPLIANCES. EMISSION OF POISONOUS GASES CAN ALSO BE EXPERIENCED WITH THE BURNING OF TREATED WOOD.

Driftwood with salt content will also cause rapid deterioration of the heater and should not be used.

2. INSTALLATION RESPONSIBILITIES

WARNING: THE APPLIANCE AND FLUE SYSTEM SHALL BE INSTALLED IN ACCORDANCE WITH AS/NZ 2918 AND THE APPROPRIATE REQUIREMENTS OF THE RELEVANT BUILDING CODE OR CODES.

ANY MODIFICATION OF THE APPLIANCE THAT HAS NOT BEEN APPROVED IN WRITING BY THE TESTING AUTHORITY IS CONSIDERED TO BE IN BREACH OF THE APPROVAL GRANTED FOR COMPLIANCE WITH AS/NZS 4013.

CAUTION: MIXING OF APPLIANCE OR FLUE-SYSTEM COMPONENTS FROM DIFFERENT SOURCES OR MODIFYING THE DIMENSIONAL SPECIFICATION OF COMPONENTS MAY RESULT IN HAZARDOUS CONDITIONS. WHERE SUCH ACTION IS CONSIDERED, THE MANUFACTURER SHOULD BE CONSULTED IN THE FIRST INSTANCE.

Strict adherence to these instructions will meet these standards.
Any variation from these installation instructions or any doubt about them must be checked against the requirements of the Standards.

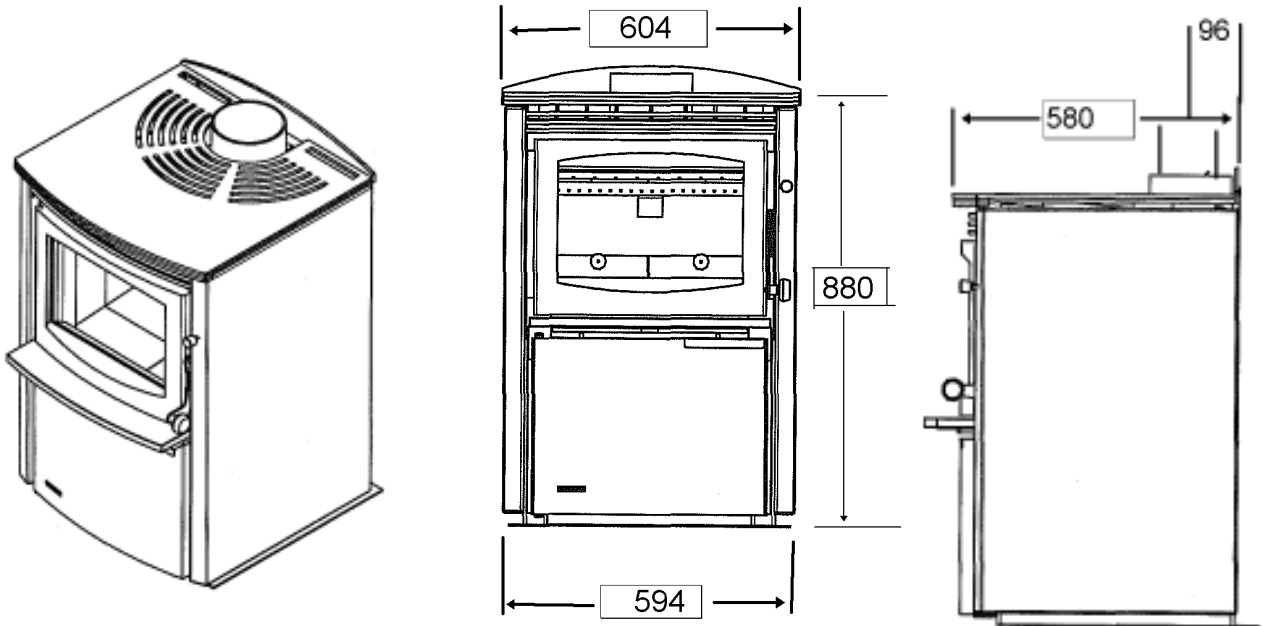
3. FLOOR PROTECTOR REQUIREMENTS

The heater should always be installed on top of its base due to high temperatures sustained over long periods. The base must be anchored to both the floor protector and the floor for seismic restraint. Anchor points are provided in the base.

If the heater is installed on or within 500mm of a heat sensitive floor, then an ash floor protector will be required. This floor protector shall extend under the appliance and not less than 300mm beyond the front of the fuel loading or ash removal openings. The width of the floor protector shall be not less than the width of the appliance, and shall extend not less than 200mm from each side of the fuel loading or ash removal openings unless it forms an abutment with a wall or heat shield at a lesser distance.

Where the floor protector consists of a number of components, it shall include a continuous layer of heat-resistant material extending under the appliance to the perimeter of the floor protector. All joints shall be fixed to prevent accidental separation, and shall be sealed to prevent any spilt ash or embers contacting any heat sensitive material.

4. INSTALLATION CLEARANCES

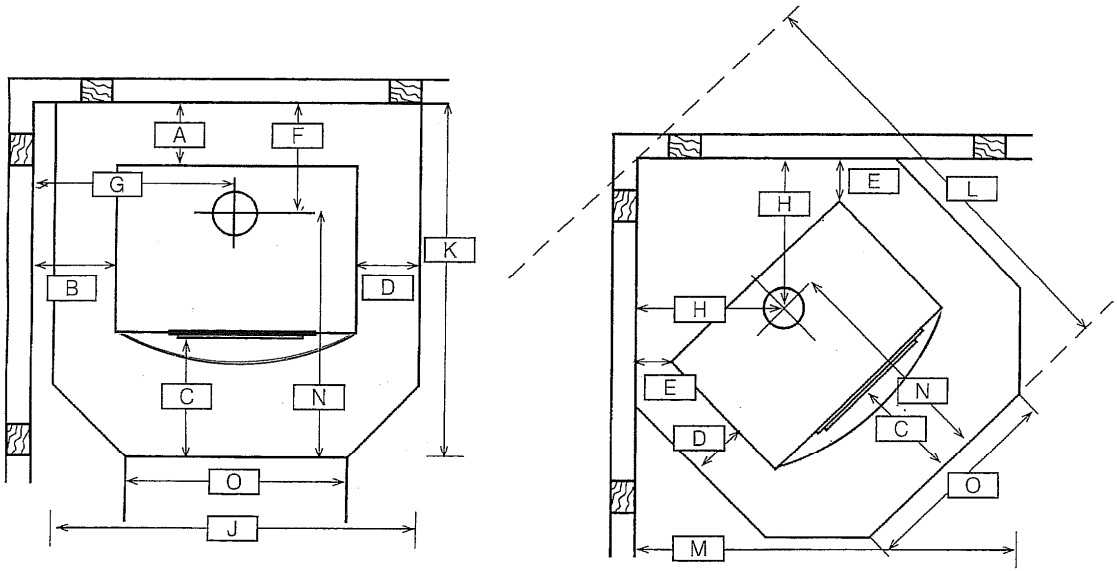


Firebox Size: Height 300mm
 Width 440mm
 Depth 370mm

Flue Size: 150mm
 Heating Area 180sqm

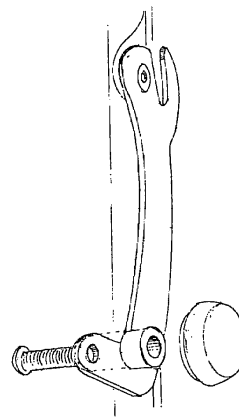
CLEARANCES	A	B	C	D	E	F	G	H	J	K	L	M	N	O
WITH FLUE SHIELD	100	200	300	110	50	200	520	330	810	930	1200	1030	730	500
NO FLUE SHIELD	300	200	300	110	100	400	520	400	810	1130	1280	1090	730	500

Clearances are in accordance with the requirements of AS/NZS 2918:2001



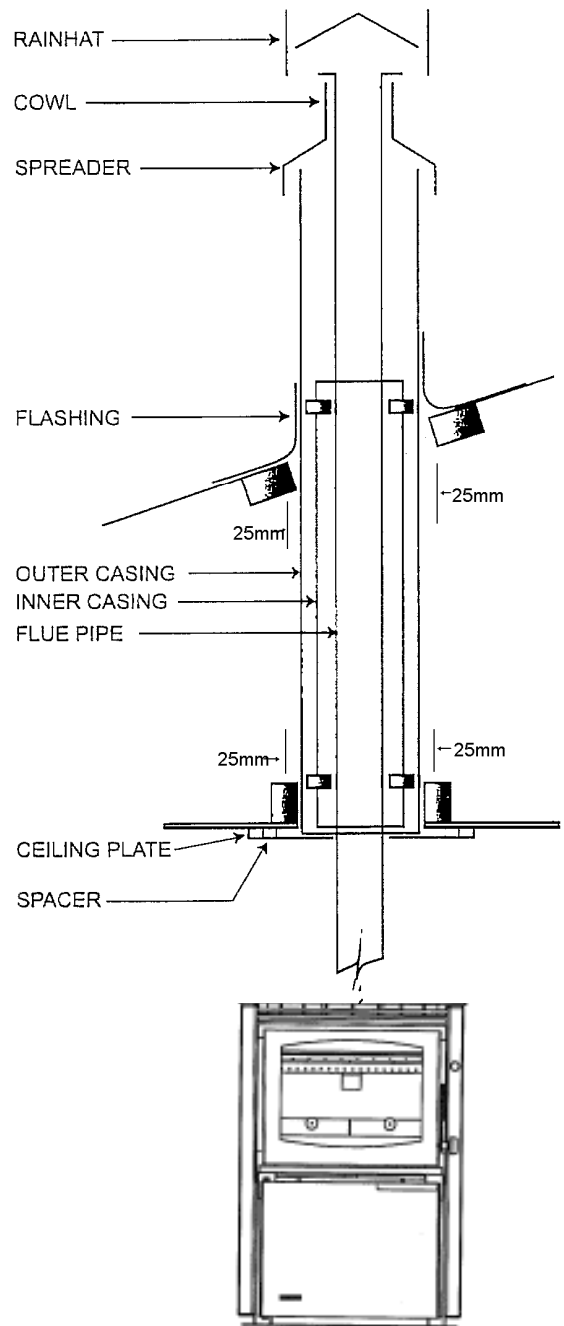
5. ASSEMBLY INSTRUCTIONS

1. Remove all packaging.
2. Remove granite ashlip and support from inside the firebox.
3. Swing open the firebox door; lift and remove.
4. Place unit on floor protector - check clearances as shown on page 5.
5. Open the woodbox door and place the ash shelf support over the 2 screws and tighten.
4. Place the granite ashlip on the support and over the locating stud and replace firebox door.
6. Sit the top plate on supports above the firebox.
6. Secure both fire and floor protector to floor by using appropriate fastenings through the holes provided in the base plate of the heater. This is a New Zealand Standard requirement due to NZ being earthquake prone.
7. Assemble and fit flue as per instructions (page 7).
8. If you are fitting a flue pipe shield (see clearances on page 5), the minimum requirement is for a single skin, semi-circular, stainless steel flue shield with a reflective inner surface 1200mm high. This should be installed so that the bottom edge of the flue shield is at the same level as the top of the flue spigot and spaced off the flue pipe by approximately 35mm.
9. Fit door knob with spacer as per drawing shown herewith. -



6. FREESTANDING FLUE SYSTEM INSTALLATION INSTRUCTIONS

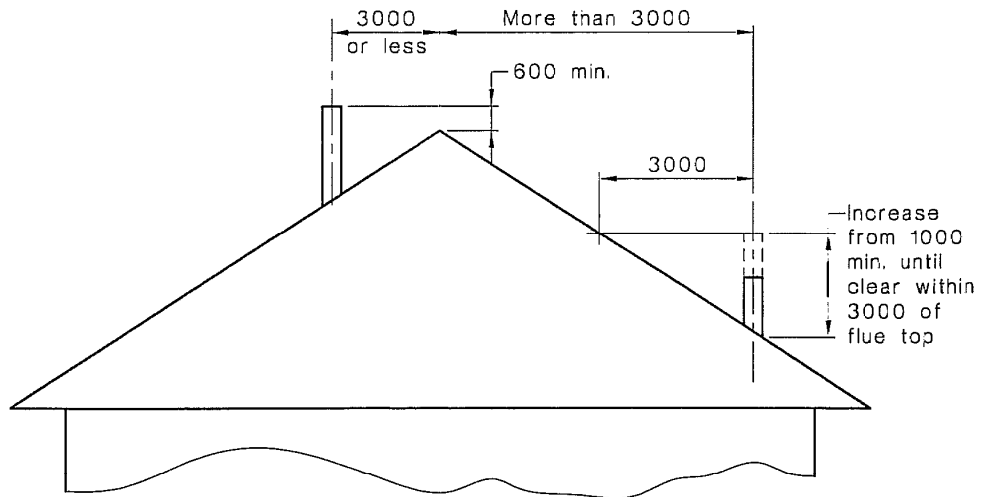
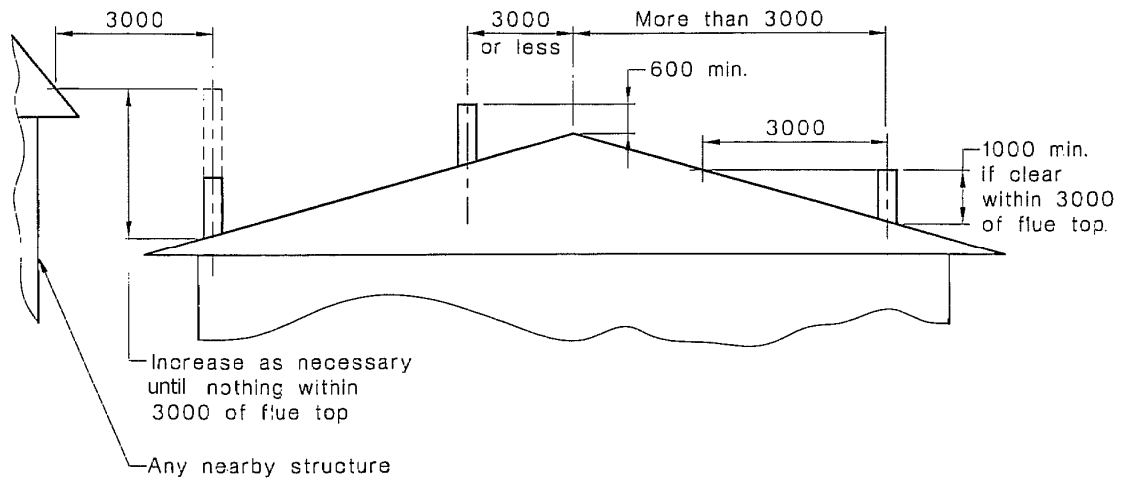
1. Position heater on floor protector ensuring all heater clearances are correct as per clearances on page 5.
2. Once the location is confirmed, the appliance and floor protector shall be fixed to the floor itself (refer to page 6 & 7).
3. Extend a plumb line from the centre of the fire flue pipe spigot to the ceiling. Mark position on ceiling and roof.
4. Trim hole and nog as required ensuring that a 25mm safe clearance between combustible materials and flue components is maintained. Fix with non combustible spacers and screws or clouts on all four sides.
5. Cut and frame (when required) an opening in the roof, position the outer casing through the roof until it is flush with the under side of the ceiling, making sure as with the ceiling there is a 25mm safe clearance between non-combustible materials and the flue components. Fix as in step 4.
6. Fix appropriate flashing around outer casing to the roof to ensure a weatherproof seal.
7. Assemble flue pipe sections ensuring all seams are in line, the assembly is straight and crimped. Ends are pointing downwards. Fix each joint with three stainless rivets or self-tapping screws.
8. Place ceiling plate with folded edges upwards over heater spigot.
9. Position the flue pipe into the heater spigot. The flue pipe can either lowered from the top as a single unit or fed up from the room a length at a time, ensuring that all joints are fixed properly.
10. Slide the inner casing into place, between the outer casing and the flue pipe.
11. The flue pipe must extend 200mm above the outer casing.
Note: Extra lengths of flue pipe, inner and outer casing may be required to achieve the minimum clearance from the roof.
12. Slide top spreader over flue pipe down into outer and inner casing and tighten.
13. Slide cowl over flue pipe until it rests on spreader. Secure with rivets or self-tapping screws.
14. Fit rainhat. Do not fasten as it must be removable for flue pipe cleaning.
15. Fix ceiling plate to ceiling maintaining an even gap all around flue pipe.
Note: Ensure ceiling plate is spaced off from the ceiling with ceramic spacers supplied.



CAUTION: Mixing of appliance or flue system components from different sources or modifying the dimensional specifications of components may result in hazardous conditions. Where such action is considered the manufacturer should be consulted in the first instance.

WARNING: The appliance and flue system shall be installed in accordance with AS/NZS 2918:2001 and the appropriate requirements of the relevant building code or codes.

MINIMUM HEIGHT OF FLUE SYSTEM OUTLET



DIMENSIONS IN MILLIMETRES

NOTES:

1. The flue pipe shall extend not less than 4.6m above the top of the floor protector.
2. The flue cowl must be at least 600mm above the highest point of the roof if within 3 metres of it, or 1 metre above the roof penetration if more than 3 metres from the ridge.
3. No part of the building, or any adjacent building may be in or above a circular area of a horizontal radius of 3 metres from the flue exit.



WOODFIRES

BY
Hewitsons Limited

Manufacturers of:
Lady Kitchener
Bronte
Coaster
Contessa
Dante
Zealandia
Athena
Forte
Royale

68 Austin Street
PO Box 3231
Onekawa
Napier

Phone: 06 8438260
Fax: 06 8430505

Email: hothouse@firenzo.co.nz
Web: www.firenzo.co.nz