



FIRENZO
WOODFIRES

the heart of your home

**INSTALLATION AND OPERATOR'S HANDBOOK
FOR THE FIRENZO INSERT FIRES**

Please read this booklet, for the safe installation of your

DECO RU
OR
PLAZA RU

The Appliance and Flue System must be installed in accordance with AS/NZS2918. Consult with the Building Authority having jurisdiction to obtain a permit prior to commencing the installation. Failure to follow these instructions may also void your fire insurance and warranty.

**THIS FIRE IS FOR INSTALLATION ON A PROPERTY OF MORE THAN 2
HECTARES**

*This unit has been tested to Appendix E & B of the joint Australia/New Zealand
Standard 2918:2001.*

INDEX

DIAGRAMS:

Page 4 Fascia & Floor Protector Dimensions
Page 6 & 7 Built In Fire Canopy
Page 9 Typical Insert Installation Diagram
Page 10 & 11 Insert Flue System

PAGE:

ITEM:

3	1	Warnings
5	2	Floor Protector Requirements
8	4	Pre-Installation
8	5	Assembly Instructions
12	6	Fascia Assembly & Installation

Edited 10/09/2009

1. WARNINGS

THIS APPLIANCE SHOULD BE MAINTAINED AND OPERATED AT ALL TIMES IN ACCORDANCE WITH THESE INSTRUCTIONS.

The DECO RU and the PLAZA RU has been tested to N.Z. Standards AS/NZS 2918:2001.

If this heater is incorrectly installed a house fire may result. For your safety follow the installation instructions carefully.

Do NOT connect the heater to a chimney serving another appliance.

Although the exterior of the heater may appear cool, contact with the unit may cause burns; warn children and others of the possibility of injury should they touch the heater.

Do NOT dry clothing or unseasoned wood directly in contact with the heater.

Keep all household combustible materials at least 600mm away from front of the heater. This includes clothing, furniture, wood, newspaper, plastic, matches, etc.

DO NOT USE FLAMMABLE LIQUIDS OR AEROSOLS IN THE VICINITY OF THIS APPLIANCE WHEN IT IS OPERATING.

Use caution when reloading with fuel. Do NOT attempt to load fuel into the heater when the fire inside the stove is at or near its peak.

Do NOT burn large quantities of paper or combustible material that would create an extremely hot/quick fire.

Do NOT burn highly coloured paper or brochures (junk mail).

USE ONLY DRY WOOD. AVOID BURNING WET OR GREEN WOOD.

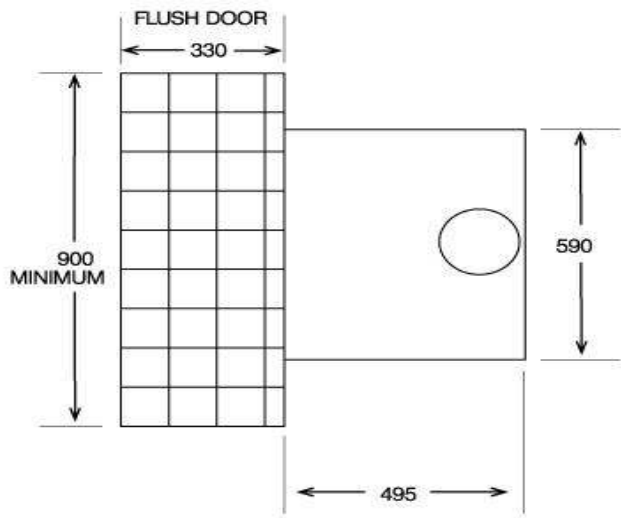
THE USE OF SOME TYPES OF PRESERVATIVE TREATED WOOD AS A FUEL CAN BE HAZARDOUS.

TIMBER TREATED WITH COPPER CHROMIUM AND ARSENIC TYPE PRESERVATIVES WILL LEAVE TOXIC RESIDUES IN THE ASH, FIREBOX OR WITHIN THE FLUE, TIMBER OFFCUTS FROM BUILDING CONSTRUCTION WILL OFTEN CONTAIN BORIC SALTS. THE COMBUSTION OF THIS MATERIAL OVER PROLONGED PERIODS CAN PRODUCE ADVERSE EFFECTS ON REFACTORY LINING IN SOLID FUEL APPLIANCES. EMISSION OF POISONOUS GASES CAN ALSO BE EXPERIENCED WITH THE BURNING OF TREATED WOOD.

Driftwood with salt content will also cause rapid deterioration of the heater and should not be used.

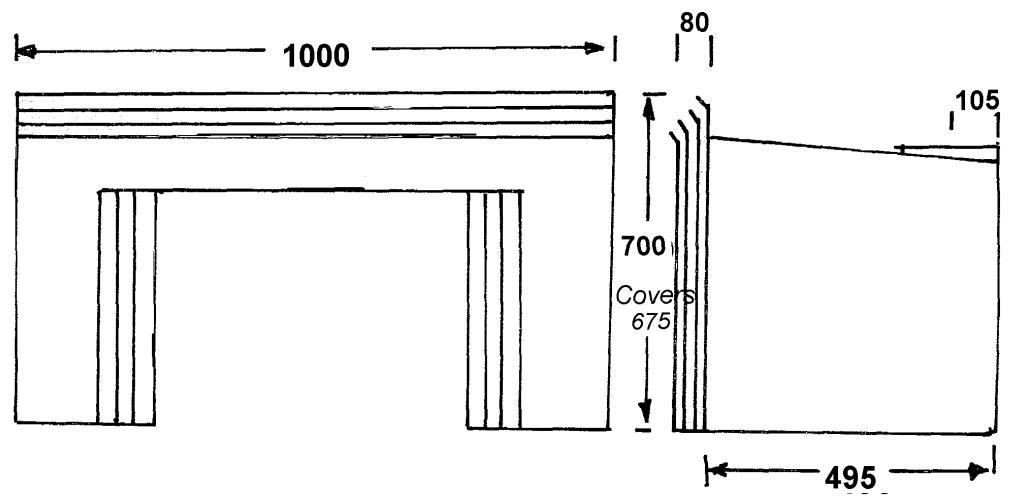
FLOOR PROTECTOR & FASCIA DIMENSIONS

Dimensions based on
a 40mm floor protector
height.

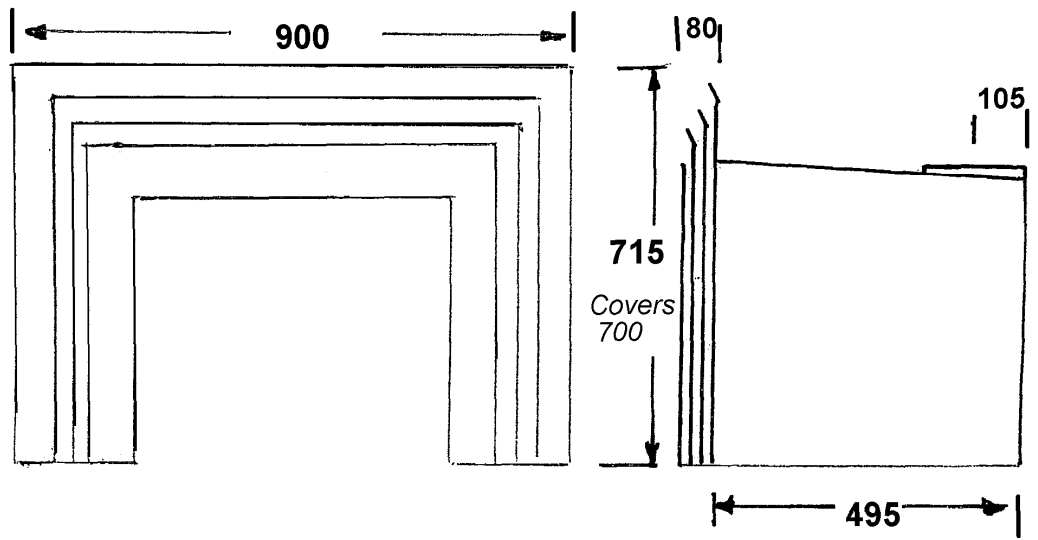


*Minimum Height above Facia to a
Mantel Shelf with a Firenzo Double Shielded Deflector - 290mm.*

PLAZA
RU



DECO
RU



Deco RU & F

2. FLOOR PROTECTOR REQUIREMENTS

If the heater is to be placed on or within 500mm of a heat sensitive floor, an **insulated** floor protector will be required.

The insulated floor protector needs to extend under the heater and in front of the door. See dimensions for floor protector. Similarly a 200mm extension is required on each side of the door opening unless the insulated floor protector forms an abutment with a wall or heatshield at a lesser distance.

The heater and floor protector must be fixed to the floor for seismic restraint. Anchor points are provided in the feet of the unit.

INSULATED FLOOR PROTECTOR CONSTRUCTION

An Insulated Floor Protector shall consist of a minimum thickness of 40mm of an approved insulation material ie micorboard and tiles or similar on the top surface. All joints on the upper surface should be sealed to prevent spilt ash from contacting any heat-sensitive material.

FLOOR PROTECTOR DIMENSIONS

The standard front clearance from the fireplace breast (brickwork, etc) can be reduced by increasing floor protector height.

DECO RU & PLAZA RU (Steel Door Models) FLOOR PROTECTOR DEPTH

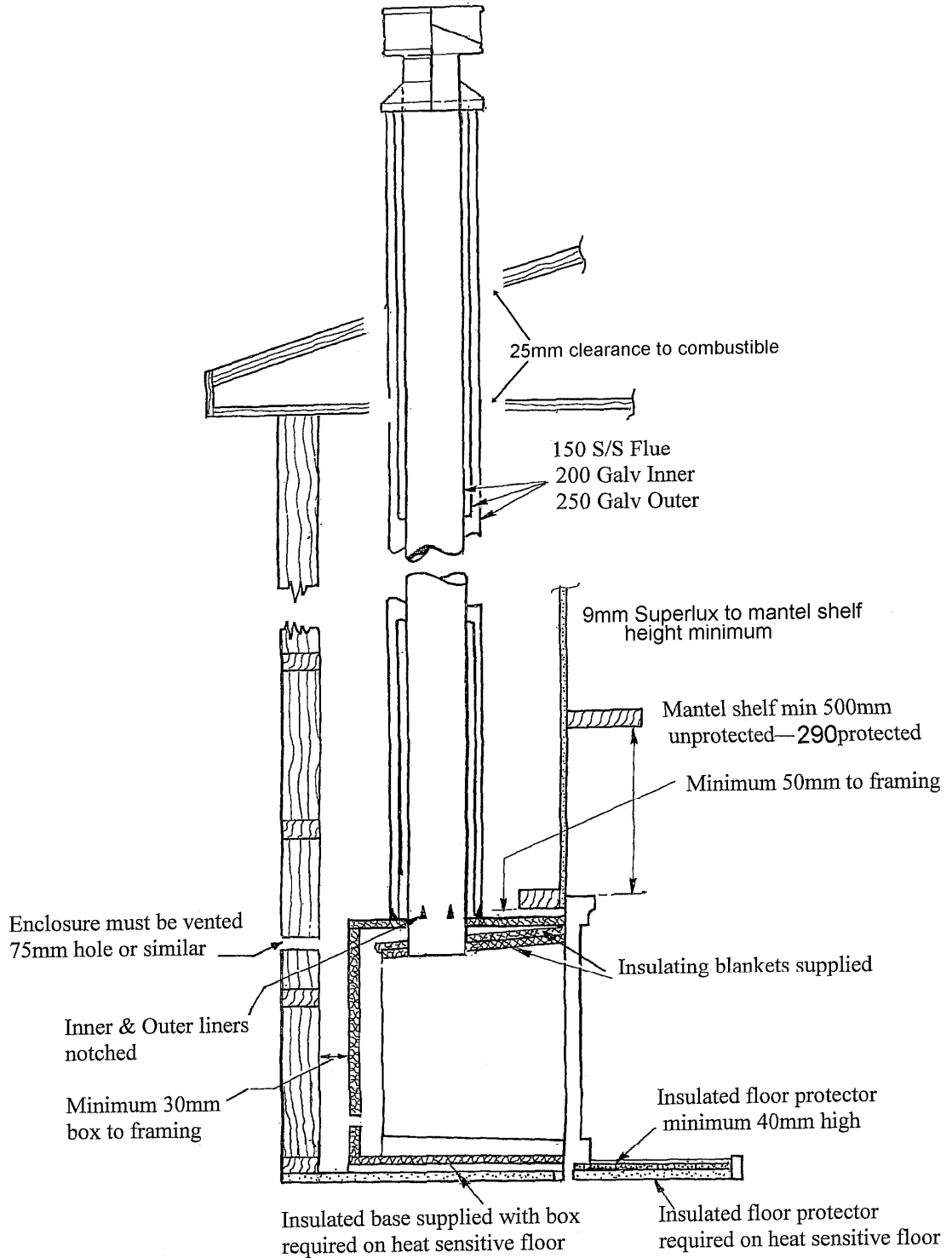
HEIGHT	
Level	520
20	460
40	330 (minimum)

3. BUILT IN FIRE CANOPY

A Built In Fire Canopy is required if the fire is not being installed into a masonry fire place.

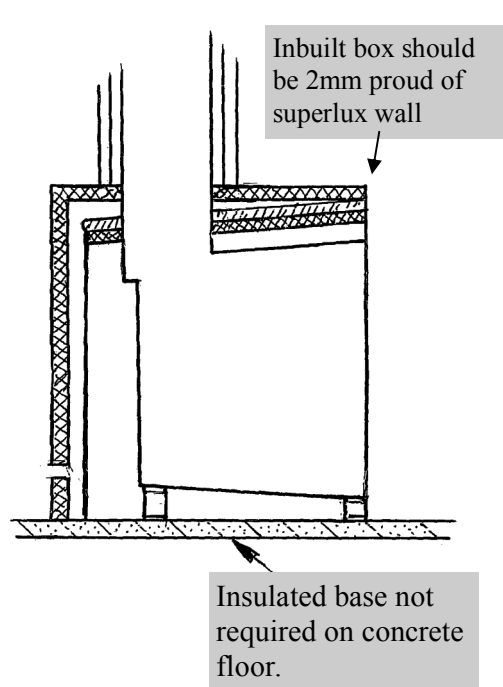
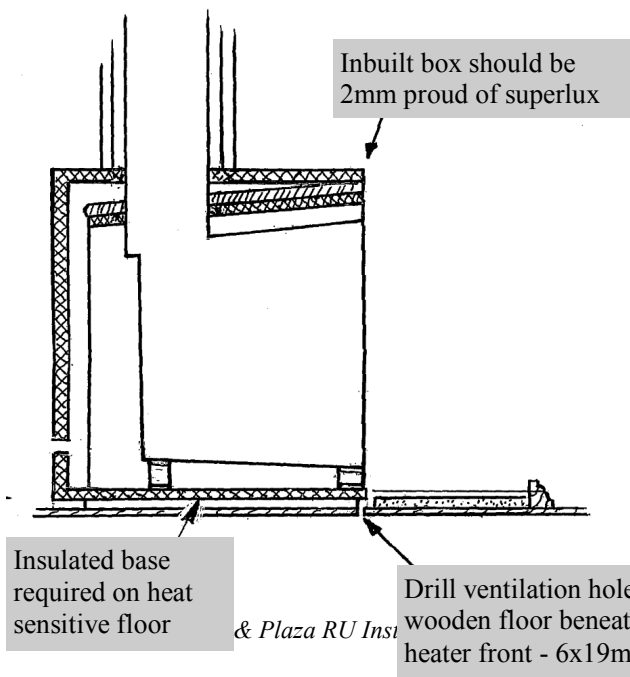
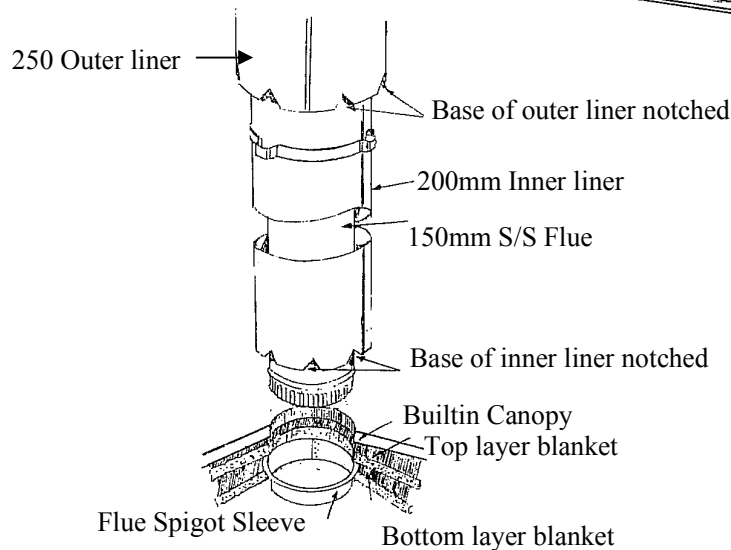
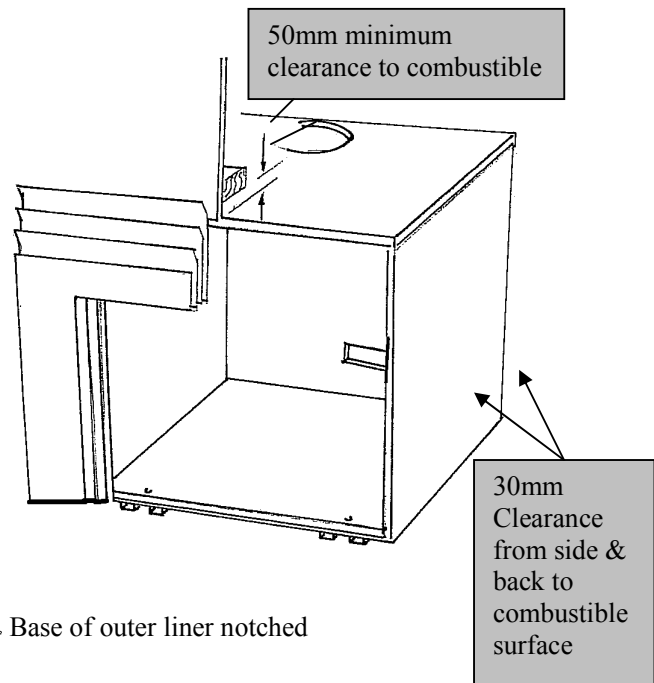
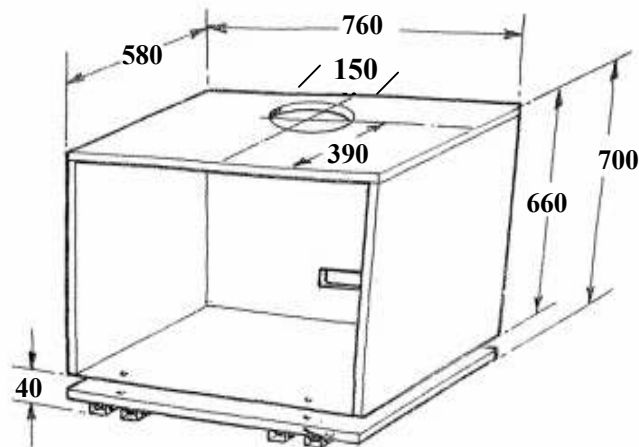
For Built In Fire Canopy installations see details on pages 6 & 7.

**FIRENZO BUILTIN FIRE – use where there is no masonry fireplace.
 INSTALLATION INSTRUCTIONS FOR PLAZA OR DECO RU**



TYPICAL BUILT IN FIRE CANOPY

For Deco RU & Plaza RU



Drill ventilation holes in wooden floor beneath heater front - 6x19mm

4. PRE - INSTALLATION

(Refer diagram page 4)

Before installing your Firenzo Insert it is important to check the condition of your masonry chimney. Ensure any cracks are sealed, loose masonry repaired and the chimney swept. Check the dimensions of your fireplace opening. Firebricks may need to be removed and the floor of the opening should be level using mortar if necessary. Ensure any gaps between the chimney face and fireplace surround are sealed with heat resistant material.

Where the insert is to be installed in a heat sensitive wall a non-metallic heat resistant material shall extend not less than 50mm beyond each side of the heater or its fascia and 150mm beyond the top of the heater or its fascia.

MANTEL & SIDE SURROUND

If the mantel shelf is of a combustible material there should be a minimum distance above the top of the fascia of 500mm. This may be reduced to 290mm provided a Firenzo double skinned heat shield is fitted under the mantel. Firenzo heat shields are available from your Firenzo dealer.

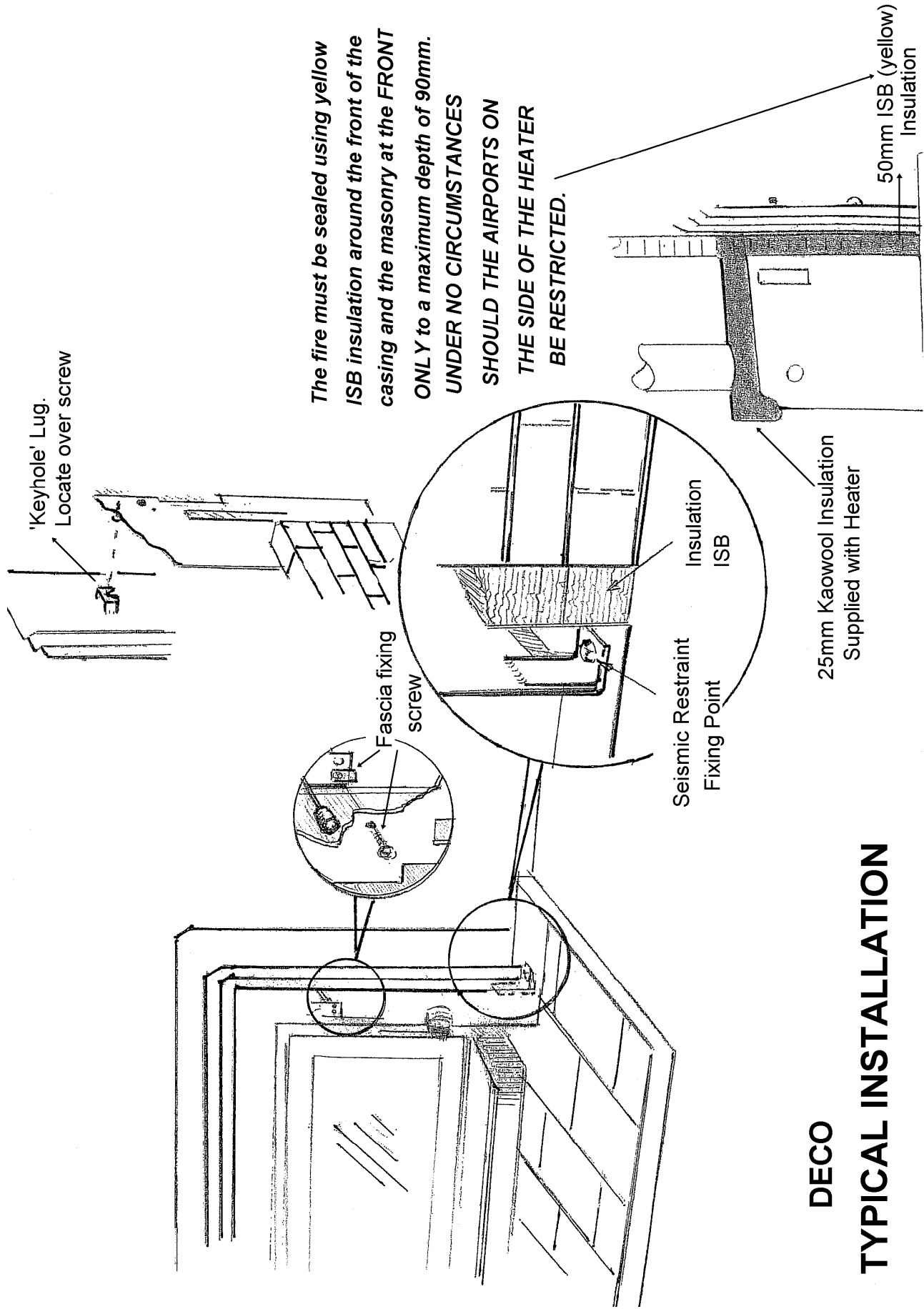
Clearance between the fascia and any wooden side surround must be 50mm providing the timber protrudes no more than 100mm.

5. ASSEMBLY INSTRUCTIONS

- 1 Carefully remove all packaging.
- 2 Remove firebricks as necessary to fit the firebox into the opening. The firebox front when installed must be parallel with the fireplace surround. This may be achieved by using a concrete mix to level the fireplace hearth.
- 3 Slide the firebox into the opening so that the outer casing return folds are flush with the fire surround.
- 4 DUE TO NEW ZEALAND BEING AN EARTHQUAKE PRONE COUNTRY, IT IS IMPORTANT TO ANCHOR THE INSERT DOWN IN CASE OF EARTH MOVEMENT (refer diagram page 9).
- 5 Install Flue as per instructions page 10 & 11.
- 6 Now that the firebox and flue are in position, place the 25mm kaowool (white) blanket (supplied) on top of casing.
- 7 As this fire sources its combustion air from the chimney cavity, the fire **MUST be sealed** around the front of the casing and the masonry. This is achieved by packing the yellow insulation (I.S.B.) supplied between the casing and the masonry at the FRONT ONLY to a maximum depth of 90mm. **UNDER NO CIRCUMSTANCES SHOULD THE AIRPORTS ON THE SIDE OF THE HEATER BE RESTRICTED.** See page 9.

NOTE: In the case of some insert fires into existing masonry fireplaces it may be necessary to install adventitious ventilation as per AS/NZ 2918 3.4.1.2 to assist air flow into the enclosure. This ventilation should not be in the room where the fire is installed.

- 8 Assemble and fit the fascia as follow as per instructions on page 12.



DECO TYPICAL INSTALLATION

INSERT FLUE SYSTEM INSTALLATION INSTRUCTIONS

AS PER AS/NZS2918:2001

These instructions are to be read in conjunction with the manufacturer's instructions

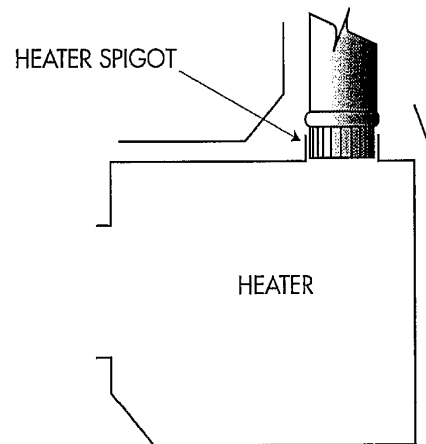
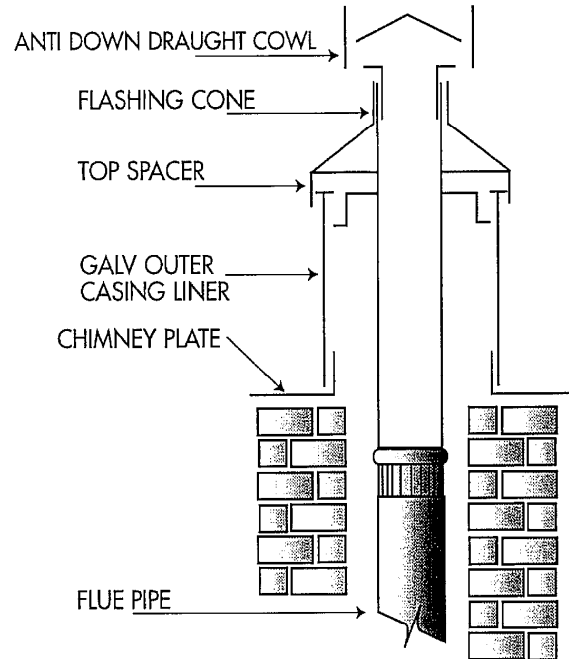
CAUTION: Mixing of appliance or flue system components from different sources or modifying the dimensional specifications of components may result in hazardous conditions. Where such action is considered the manufacturer should be consulted in the first instance.

WARNING: The appliance and flue system shall be installed in accordance with AS/NZS2918:2001 and the appropriate requirements of the relevant building code or codes.

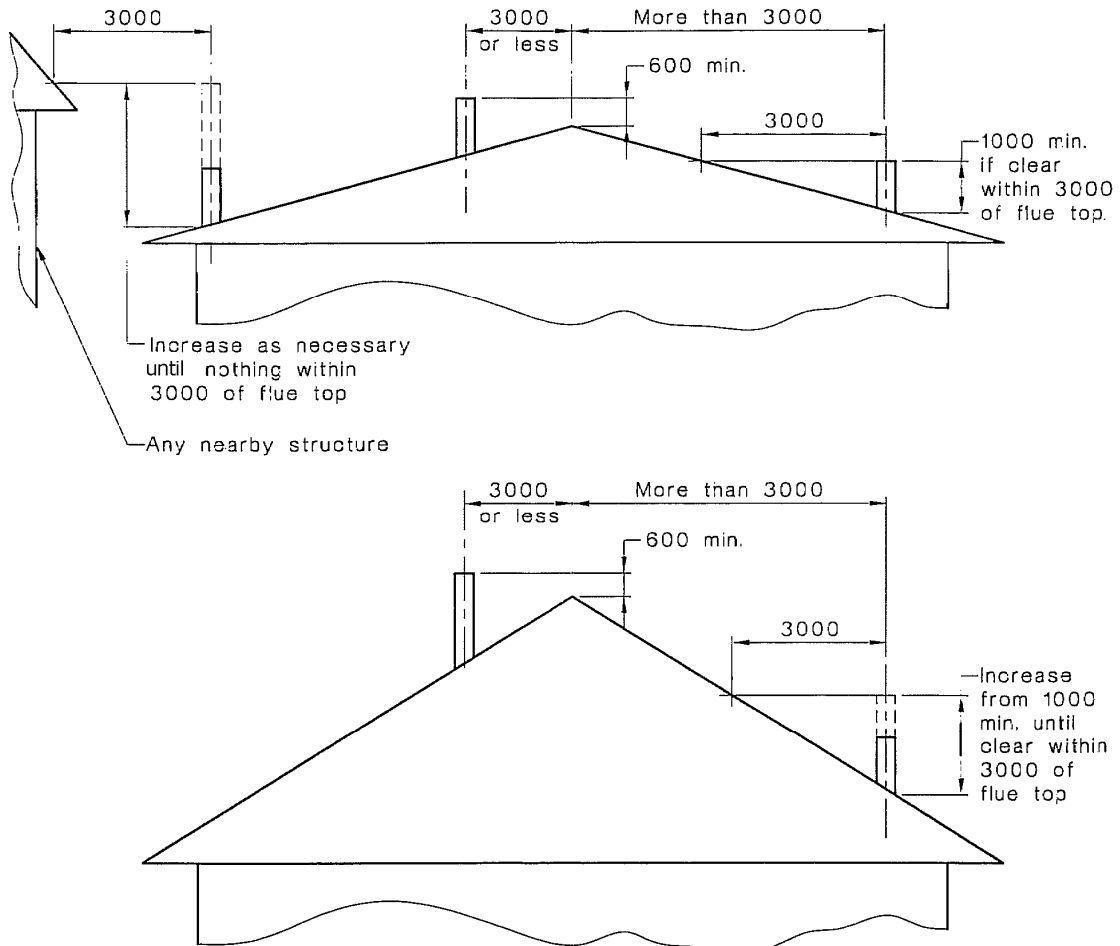
1. Position heater in fireplace. Extend plumb line from top of chimney, ensuring heater spigot is in line with top of chimney. If not, flue pipe offsets will be required.
2. Assemble flue pipes ensuring all seams are in line and assembly is straight and tight with crimped ends pointing downwards. Secure flue pipes with at least 3 stainless steel or monel rivets and seal.
3. Fasten chimney plate supplied onto the chimney top. The chimney plate must be weather sealed with silicone or mortar.
4. Install chimney liner on top of the chimney plate.
5. Ensure flue pipe is extended over the chimney liner by 180mm. Secure top spacer bracket to the flue pipe and ensure slots fit snugly inside the chimney liner.
6. Slide flashing cone over top of flue, until it rests firmly over top spacer. Secure with pop rivets or self tapping screws.
7. Fit anti-down draught cowl. Do not secure as it must be removed for cleaning.

Notes

- a) The flue cowl must be at least 600mm above the highest point of the roof if within 3 metres of it, or 1 metre above the penetration if more than 3 metres from the ridge.
- b) No part of the building, or any adjacent building may be in or above a circular area of a horizontal radius of 3 metres from the flue exit.



MINIMUM HEIGHT OF FLUE SYSTEM OUTLET



DIMENSIONS IN MILLIMETRES

NOTES:

1. The flue pipe shall extend not less than 4.6m above the top of the floor protector.
2. The flue cowl must be at least 600mm above the highest point of the roof if within 3 metres of it, or 1 metre above the roof penetration if more than 3 metres from the ridge.
3. No part of the building, or any adjacent building may be in or above a circular area of a horizontal radius of 3 metres from the flue exit.

6. FASCIA ASSEMBLY & INSTALLATION

DECO RU OR PLAZA RU (STEEL DOOR)

- 1 Remove screws fixed to lugs on firebox side.
- 2 Place single back plate against firebox and replace screws.
- 3 Fit lower grill over screws and tighten.
- 4 Place the keyhole brackets on the 3 plate fascia over the protruding screws on the backplate to fit.
- 5 Locate the air control extrusion onto the control rod behind the fascia.
(Plaza requires only the knob to be fitted).
- 6 Fit the ash lip lugs over the two 6mm screws on body and tighten.

7. OPERATING INSTRUCTIONS

PLEASE READ FULLY BEFORE PROCEEDING ANY FURTHER.
KEEP THIS BOOK IN A SAFE PLACE.

FIRST BURN

On the INITIAL LIGHTING only, the high temperature paint used on your heater will give off smoke and odour for several hours. As this is a temporary condition, open doors, windows, etc to give adequate ventilation.

1. Prepare fire by placing crumpled paper in middle of firebox. Do not use a grate, or elevate fire. Build fire directly on floor of firebox.
2. Pull air control knob (this is the small knob by the right of the door) out fully for high.
3. Arrange dry kindling in “tepee” style with larger pieces standing up on each side. Ignite paper leaving door ajar until kindling is alight.
4. When vigorous flaming of the kindling subsides and embers begin to appear, reload with larger wood placing them in a front to back configuration.
5. Open door carefully and place small pieces, then larger logs on top.
6. Close door tight and leave Air Control on ‘HI’ for some 20 minutes. The value in establishing this technique is that you are providing an excellent base for burning your wood effectively and without smoke - pollution free.
7. When a good fire is established move air control to middle position. DO NOT IMMEDIATELY SHUT THE HEATER TO ‘LO’. Remember to close the air control gradually to your desired level of heat output. It is better to take 3-4 adjustments to get to the low setting (extended burn).

RELOADING

NOTE: It is necessary to move the Air Control to 'hi' before opening the door.

Never open the door when a vigorous fire is in progress. Wait until the flames have subsided and the wood has broken up into glowing embers. Reload with dry logs, placing them in a front to back configuration.

Leave the air control on the 'Hi' position for 10 to 15 minutes or until the flames begin to subside. This shows that the initial highly volatile wood gases have been driven off and the heater will be able to maintain an even burning rate.

Normally a light load of fuel will stabilize quickly but a full load will take longer. Once the burning rate has stabilized move the Air Control to a medium position.

RE-LOADING AFTER AN EXTENDED BURN TIME

At the end of an extended burn, re-establish the fire by adding a few small split logs, adjust the Air Control to 'Hi' and allow the firebox temperature to build up before adding the balance of the fuel.

The addition of large quantities of cold fuel to a low fire will reduce the firebox temperature dramatically and this may result in 'losing' the fire.

Proceed with fire as before.

Do NOT operate the heater with the door constantly open, this overrides the Air Control and greatly lowers optimum heat output and efficiency.

FUEL

Dry, seasoned wood should be used at all times with a moisture content of less than 25% dry weight. As a general rule, the harder the wood the better it will be as fuel.

The heat output level on the heater is controlled not only by the Air Control but also by the type and quantity of fuel in the firebox.

A fully loaded firebox set to 'High' will produce far more heat than an almost empty heater set at the same position. Remember, you only get out of any heater what you put into it. The better the fuel, the better the heater.

Do NOT burn plastic, household refuse or driftwood.

FLAMMABLE LIQUIDS

CAUTION: Never use gasoline-type fuel, kerosene, charcoal lighter fuel or similar liquids to start or 'freshen-up' a fire in this heater.

8. MAINTENANCE

CLEANING THE ASHES FROM THE FIRE

Disposal of Ashes

Ashes should be placed in a metal container with a tight fitting lid. The closed container of ashes should be placed on a non-combustible floor or on the ground, well away from all combustible materials, pending final disposal, if the ashes are disposed of by burial in soil or otherwise locally dispersed, they should be retained in the closed container until all cinders have thoroughly cooled.

A LAYER OF ASH AT LEAST 25MM DEEP SHOULD ALWAYS BE LEFT IN THE BOTTOM OF THE HEATER TO PROTECT THE BOTTOM OF THE FIREBOX, AND IT WILL ALSO ACT AS 'INSULATION' FOR THE FIRE.

WARNING: DO NOT REMOVE EXCESS ASH FROM THE FIREBOX BY VACUUM UNLESS THE FIRE HAS BEEN OUT FOR 5 OR MORE DAYS - EMBERS WILL SMOULDER FOR SEVERAL DAYS AND WILL IGNITE VACUUM CLEANER BAGS.

FLUE

Creosote is caused by burning wet fuel, leaving particles and condensation to build up on the inside of any closed solid fuel heater. Creosote and soot left to build up can cause decreased heat performance and flue fires. Your heating retailer or local reputable chimney sweep will be able to assist with flue cleaning.

SECONDARY CHAMBER

The baffles (horizontal bricks in the ceiling of firebox) are critical to the heaters performance. They should be checked annually during flue cleaning and replaced if signs of deterioration are evident.

DOOR HANDLE AND HINGES

Light lubrication is recommended once a year before the first autumn burn. Use a little GRAPHITE grease, available from any garage or engineering outlet.

GOLD OR CHROME PLATED DOOR

The 24 carat gold, or chrome plated door must not come in contact with abrasive materials. Use a clean damp cloth when the heater is cool, if cleaning is required.

9. DOOR GLASS

The inserts are equipped with a self cleaning glass air wash system. A discolouration can form after a long 'low' burn, but 30 minutes of 'high' burn should clear it from the glass. Oven cleaner can be used for removal of heavy build-up. Do NOT clean glass while hot.

If a replacement of glass is required, only high heat and impact resistant ceramic glass is able to be used. Insulating material for the glass should be replaced at this time also. NEVER place glass directly against the door. Without the insulation seal tape in place, the glass is likely to shatter. Your Firenzo agent will be able to supply any spare parts.

10. SAFETY

All surfaces on the inserts will get hot and cause burning if touched by bare hands. Hewitsons recommends using a fireguard. The heat from inserts will effectively dry laundry and other wet articles, however such materials should be kept well clear of the heater to prevent accidental fires. The flue should be cleaned regularly to avoid flue fires. In such event, close the air control. Do NOT open door. Remove combustible items from near the heater and flue.

11. WARRANTY

Firenzo woodfires are fully guaranteed against defects in materials and workmanship for a period of TEN YEARS from date of purchase for the firebox, fire surrounds, door panel, trims, air supply components and ONE YEAR for kiln bricks, door glass and seals. Subject to the following conditions:

a) Provided the terms of payment are promptly complied with Hewitsons Limited undertakes with the original purchaser to remedy with reasonable despatch any defects for poor performance of the heater due to faulty workmanship or materials and or circumstances which would render the heater parts or accessories unfit for normal use, provided that the heater has been installed, inspected, operated and maintained with the manufacturer's instructions and the terms of this warranty.

b) Hewitsons Ltd will provide free labour and replacement of any parts covered by this warranty or the entire heater at its option after receiving a fully completed Hewitsons warranty claim form (available from stockists nationwide).

Hewitsons Limited must be satisfied that the heater in question was properly installed and that the heater is defective and they have been given the opportunity to rectify the defect.

c) The purchaser will be responsible for paying any service call fees or transport charges on and damages and loss incurred in connection with the transportation of the heater parts or accessories to and from Hewitsons or its accredited agents.

d) This warranty does not apply and Hewitsons Limited shall have no obligation in respect to any heater part or accessory which has:

1. Been subject to misuse, neglect, or accident in transit, storage or use.
2. Not been inspected for proper installation.
3. Not been operated or maintained in accordance with the manufacturers printed instructions.
4. Been damaged through water, including any surface rust which may occur in transit or storage and excluding such damage caused by wetback leakage if so proven to be faulty materials or workmanship on behalf of Hewitsons Limited.

e) This warranty is expressly in lieu of all other warranties, expressed or implied including the warranties of merchantability and fitness for a particular purpose other than the warranties conferred by Hewitsons Limited, who neither assumes nor authorises anyone else to assume their liability in connection with the sale of the stove or any other parts or accessories therefore.

i) Any claim under this warranty should be submitted first to the dealer from whom the stove was purchased, in such cases where the dealer cannot be located, the fully completed warranty claim form should be mailed to Hewitsons Limited at the address shown herein.

j) Notwithstanding the warranty and undertakings above, Hewitsons Limited shall not be liable in any way whatsoever for consequential loss of any kind.

Please complete for your future reference:

Serial No: _____

Model: _____

Date of Purchase _____

Purchased from: _____

FIRENZO

WOODFIRES

by

HEWITSONS LIMITED

Manufacturers of:

Lady Kitchener

Contessa

Coaster

Bronte

Dante

Zealandia

Athena

Forte

68 Austin Street

PO Box 3231

Onekawa

Napier

Phone: 06 8438260

Fax: 06 8430505

Website: www.firenzo.co.nz

Email: hothouse@firenzo.co.nz